

BRLK 29



WORLD OF SENSORIC WORLD OF SENSORIC

Reflexion Light Barrier with terminal compartment BRLK 29

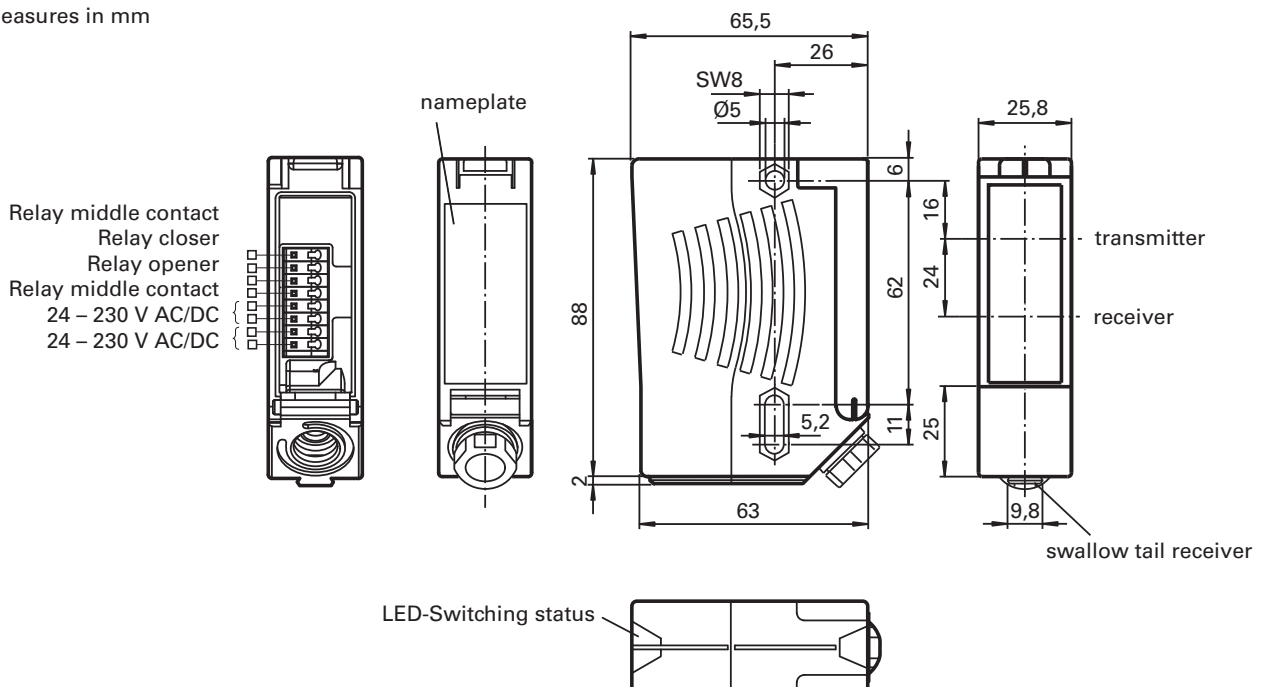
Technical datas

BRLK 29

Range to reflector	C110 / 12 m (14 m with reflector H85)
Light transmitter	LED
Angle of beam	± 1.5°
Type of light	red, varying light 640 nm
Diameter of lightspot	ca. 35 mm at a range of 12 m
Ambient light limitation	90000 Lux
Standard conformity	EN 60947-5-2
Approvals	CE, UL, CSA
Function indication	LED to the front lightning with free beam, flashing by remaining under of function reserve LED off at break of beam
Operating voltage	24-230 V AC/DC
No-load current	< 8.5 mA
Current consumption	0.2 W bei 24 V DC, 1.8 W bei 230 V AC
Signal output	Relay, 1 change-over contact
Switching mode	BRLK 29-55/25/116 Option /25 = light switching BRLK 29-55/59/116 Option /59 = dark switching
Switching voltage	230 V AC
Switching current	max. 2 A
Switching frequency	10 Hz
Response time	50 ms
Environment temperature	-30° C ... +60° C
Storing temperature	-30° C ... +60° C
Protection class	IP67
Connection type	terminal compartment
Housing material	plastic ABS
Weight	70 g

Dimensions

Measures in mm



BRLK 29 – Reflexion Light Barrier with terminal compartment

Function / Settings / Installation

A robust light barrier

The BRLK 29 is a reflexion light barrier with extremely low perturbing radiation and is predestined for very rough environment conditions. On principle no hightech light barriers are necessary for surveillance and automation applications at industrial doors, doors, escalators and lifts. A robust standard and reliability for a fair price are the aims. In today's world the electromagnetic compatibility also with light barriers belongs to the largest interference factors. With the new BRLK 29 Bircher Reglomat AG now offers a light barrier, which guarantees reliability with all conditions of environment.

Benefits and advantages

- Safe interruption of the beam also with shining and reflecting objects.
- The BRLK 29 is easy and quickly to mount (only one mounting position)
- This light barrier is immune against sun and ambient light interferences, even with energy saving lamps.

Housing

The housing of the BRLK 29 consists of black, glass fiber reinforced plastic (GF 17) and is conglutinated; the beam escape area is protected through a scratch resistant window.

Switching output

Relay output

The BRLK 29 has a relay output with a changeover contact.

Working voltage

The BRLK 29 has a Universal voltage from 24 – 230 V AC/DC. Sensors with this connection have a integrated power pack, which switches automatically to the needs voltage. Reverse battery and overvoltage protection is included.

Mounting

Two through-holes in the housing are for the safe fixing with M5 screws.

The special design of the drilling enables a lateral as well as a front fixing with or without a mounting bracket. This enables a tip-of angle of 10° horizontal and vertical at the adjusting.

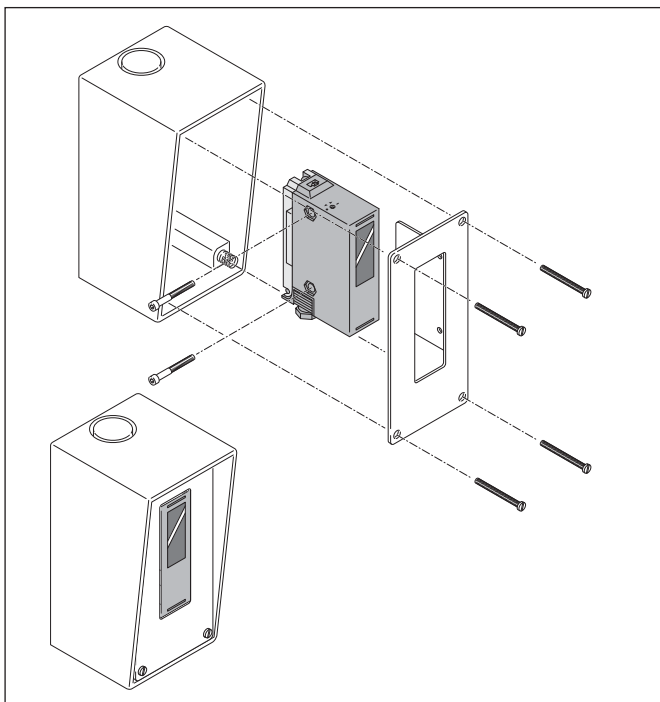
Polarizing filter

This is an optical filter which only accepts polarized light of a plane of polarization.

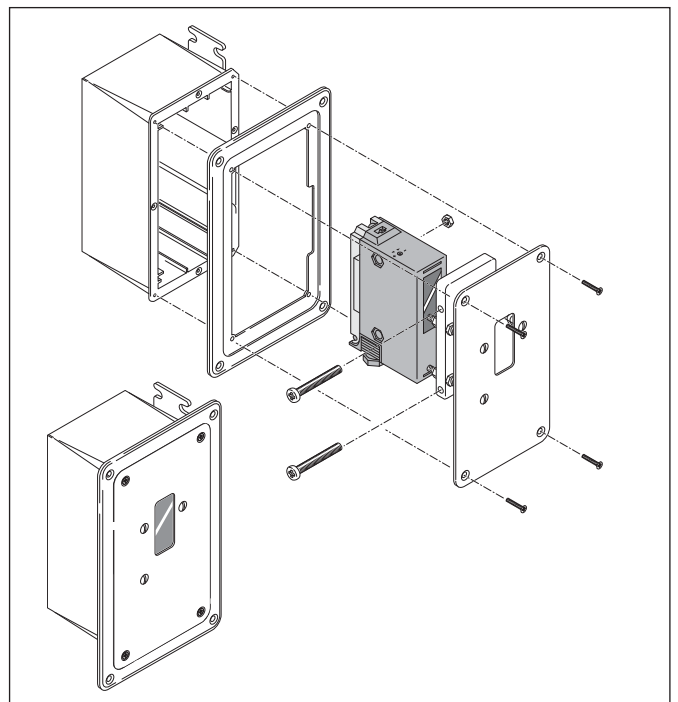
The tripel reflector of the BRLK 29 consists of a lot of small tripel mirrors, produced of plastic. It reflects the light (beam) to the incident direction. This opposite of a plane mirror where applies: angle of incidence = angle of reflection.

Tripel reflector

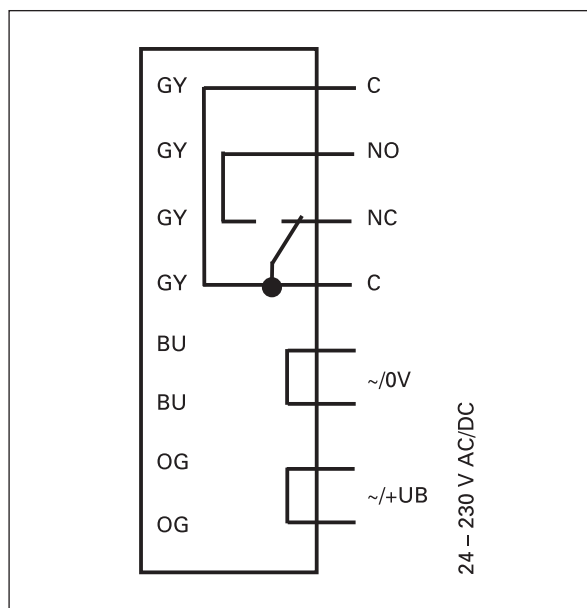
AP housing complete



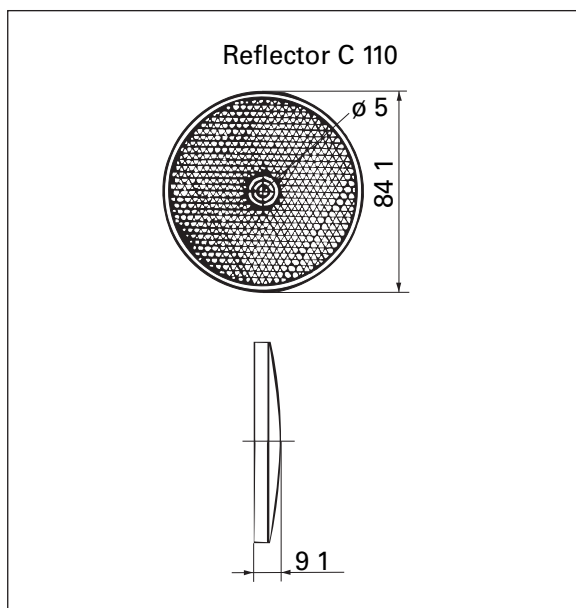
UP housing KS / alu white



Pin connection



Reflector



Ordering information

Article no.	Designation	Scope of delivery
F112 11610	BRLK 29 55/25/116 light switching	incl. Reflector C110
F112 11611	BRLK 29 55/59/116 dark switching	incl. Reflector C110
19007	AP housing complete	
19011	UP housing KS / alu white	

Your contact

Bircher Reglomat AG

Wiesengasse 20
 CH-8222 Beringen
 Switzerland
 Phone +41 (0)52 687 11 11
 Fax +41 (0)52 687 12 10
 info@bircher.com
 www.bircher-reglomat.com

Note:

Technical details and recommendations concerning our products are based on experience and are an aid for the orientation of the user. Details stated in our brochures and data sheets do not guarantee special properties of the products. This does not apply to special product properties confirmed in writing or individually on a case-by-case basis. Subject to technical alterations.