

TR 612 top2

Article number: 6120103

Description



- Digital time switch with weekly program
- 2 channel
- DuoFix spring terminals

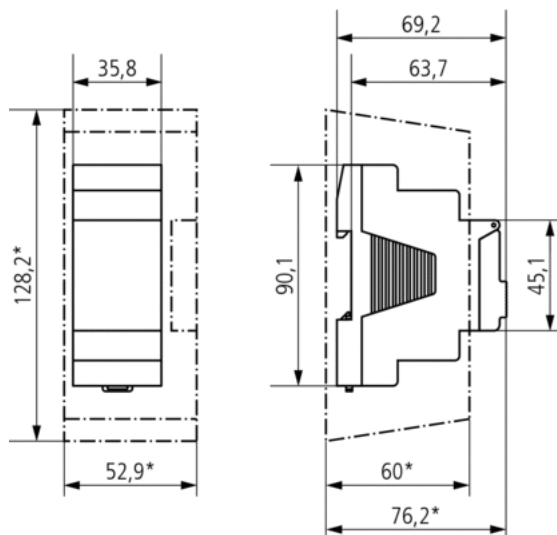
- For 2 conductors each
- Wire or strand (with or without wire end sleeve)
- Wire diameter: 0.5 - 2.5 mm²
- Button for releasing plug-in connection
- Text-oriented user guidance in display
- Preset date and time
- fully operable without mains connection
- 56 memory locations
- Interface for OBELISK top2 memory card (PC programming)
 - 2. insertable switching program
 - Copying programs
 - Storing programs
- 10 year power reserve (lithium battery)
- Zero-cross switching for relay-saving switching and high lamp loads
- ON-OFF switching times
- Switching preselection
- Permanent switching ON/OFF
- Integrated operating hour counter
 - Reset option
 - Service function for monitoring maintenance intervals
- Holiday program
- Display back light (can be turned off)
- Permanent switching ON/OFF
- PIN coding
- Automatic summer/winter time changeover
 - can be deactivated
 - Date rule options are already stored for Europe, the USA and other countries
 - own date rule options or changeover around set dates are available

Technical data

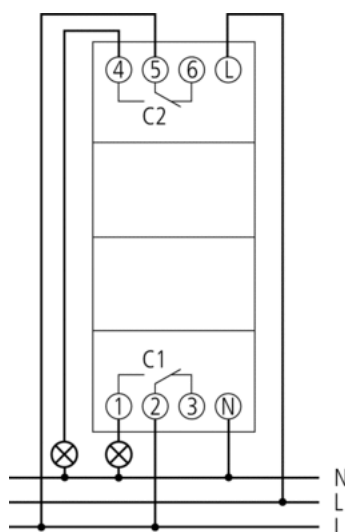
Operating voltage	230 – 240 V AC
Frequency	50 – 60 Hz
Width	2 modules
Installation type	DIN rail
Type of contact	2 two-way changeover contacts
Switching output	Potential-free and phase-independent
Opening width	< 3 mm
Program	Weekly program
Program functions	ON-OFF
Number of channels	2
Number of memory locations	56
Power reserve	10 years
Switching capacity at 250 V AC, cos φ = 1	16 A
Switching capacity at 250 V AC, cos φ = 0,6	10 A
Incandescent/halogen lamp load 230 V	2600 W
Energy saving lamps 230 V	22 x 7 W, 18 x 11 W, 16 x 15 W, 16 x 20 W, 14 x 23 W
Fluorescent lamp load (conventional) not corrected	1000 VA
Fluorescent lamp load (conventional) series-corrected	1000 VA
Fluorescent lamp load (conventional) parallel-corrected	730 VA, 80 µF
Switching capacity min.	ca. 10 mA

Shortest switching times	1 min
Time accuracy	$\leq \pm 0.5$ s/day (quartz)
Time basis	Quartz
Stand-by consumption	0,8 W
Memory card supplied	-
Type of connection	DuoFix spring terminals
Keyboards	4 touch buttons
Housing and insulation material	High-temperature resistant, self-extinguishing thermoplastic
Type of protection	IP 20
Protection class	II as per EN 60 730-1
Ambient temperature	-30 °C ... +55 °C

Scale drawings



Connection example



Accessories

Wall mounting kit 35 mm

- Article number: 9070064
[Details ▶ www.theben.de](http://www.theben.de)



PC set OBELISK top2

- Article number: 9070409
[Details ▶ www.theben.de](http://www.theben.de)



Memory card OBELISK top2

- Article number: 9070404
[Details ▶ www.theben.de](http://www.theben.de)



Front panel kit

- Article number: 9070001
[Details ▶ www.theben.de](http://www.theben.de)

