

Accessories for: **COMMAND AND SAFETY**



164	Your selection guide	
166	Safety accessories	
168	Radio command accessories	
170	Complete systems	
172	Wave	Home automation
174	Set	Key switch selectors
176	Digital	Digital keypads
178	Kiaro	Flashing lights
180	Df	Safety sensitive edges
182	Delta - Dir - Delta S	Photocells
184	Db	Cordless photocells
186	Atomo	433.92 MHz
188	Tam	433.92 MHz
190	Top	433.92 MHz
192	Twin	433.92 MHz
194	Top	868.35 MHz
196	Top	30.900 MHz
198	Tfm	30.900 MHz
200	Touch	40.695 MHz



Your selection guide

Command and safety accessories



The range of accessories offered by Came meets all command and safety requirements, in total compliance with European standards.

The following pages are designed to guide and simplify your choice when selecting the most suitable accessory to complete your installation. It also provides all the needed technical information for the broad range of Came products.















Safety accessories

Product	Feature	Series	Type	Code
Photocells	For flush-mounting	Delta S	Synchro-infrared	001DELTA-SI
	For flush-mounting	Delta	Infrared	001DELTA-I
	For surface-mounting	Delta S	Synchro-infrared	001DELTA-SE
	For surface-mounting	Delta	Infrared	001DELTA-E
	For surface-mounting	Dir	Synchro-infrared	001DIR10
	For surface-mounting	Dir	Synchro-infrared	001DIR20
	For surface-mounting	Dir	Synchro-infrared	001DIR30
	For surface-mounting	Db	RX/TX cordless	001DBC01
	For surface-mounting	Db	Repeater module	001DBC03
	For surface-mounting	Db	Repeater module	001DBC04
For surface-mounting	Db	RX/TX cordless	001DBS01	
For surface-mounting	Db	RX/TX cordless	001DBS02	
For surface-mounting	Db	Transmitter module	001DBCT	
Sensitive edges	Mechanical	Df	Ready-to-use	001DF15
		Df	Ready-to-use	001DF17
		Df	Ready-to-use	001DF20
		Df	Ready-to-use	001DF25
		Df	To assemble	001TMF
		Df	To assemble	001TMF6
		Df	To assemble	001DFI
	Pneumatic	D	To assemble	009CP30
		D	To assemble	001PPA
		D	To assemble	001PPC
		D	To assemble	009BP
		D	To assemble	009TP30
		D	To assemble	009TP30
Flashing lights	230 V AC	Kiaro	Basic	001KIARON
		Kiaro	Xenon	001KIAROLXN
		Kiaro	Manoeuvre counter	001KIAROIN
	24 V AC - DC	Kiaro	Basic	001KIAR024N
		Kiaro	Manoeuvre counter	001KIAR024IN
		Kiaro	Manoeuvre counter	001KIAR024IN



Command and safety accessories

Command accessories

Product	Feature	Series	Type	Code					
Home automation	For flush-mounting	Wave		001WA01 001WA02 001WI08					
			Selectors	For surface-mounting	Digital	001S5000 001S7000 001S9000			
						S	Transponder	001TSP01	
S	With magnetic key	001SEM-2 001SEM-2							
		S		With key	001SET-E 001SET-EN 001SET-J				
For flush-mounting	S				Digital	001S6000			
		S		With key		001SET-I 001SET-K			
Sensors	To build into the panel		S		Metal mass detection	009SMA 009SMA2 009SMA220			
		Transmitters		433.92 MHz		Atomo	Rolling code	001AT01 001AT02 001AT04	
								Tam	
Top			001TOP-432NA 001TOP-434NA 001TOP-432A 001TOP-434A 001TOP-432S						
			Twin		001TWIN2 001TWIN4				
					Top		001TOP-862NA 001TOP-864NA		
			30.900 MHz	Tfm				001T152 001T154 001T158	
					Top			001TOP-302A 001TOP-304A 001TOP-3022M	
Touch								001TCH-4024 001TCH-4048	



Safety

General features



Photocells: SYNCHRONISED INFRARED BEAMS

The beam synchronisation allows you to install several pairs of photocells into one system, even at different heights and/or distances without causing any interferences.



Photocells: THE CORDLESS VERSION

Thanks to the cordless photocells, it is possible to set up perimeter protection of the automated installation even if not previously foreseen by the original project.



The integrated protection system PHOTOCELLS-SENSITIVE EDGES (Db + Df)

Thanks to infrared beam signal, it is possible to fit protective sensitive edges onto the moving gate-leaf without needing any complicated, expensive wiring retrofitting (only for the Bx-243, Bx and Bk automation series).



Flashing light: THE ASSISTANT FLASHING LIGHT

001KIAR0IN and 001KIAR024IN flashing lights can be set to flash after the operator has performed: 5,000 - 10,000 - 20,000 - 50,000 manoeuvres.

An integrated additional red light indicates such function (if activated) and allows programming of maintenance interventions.

The new Delta S series photocells

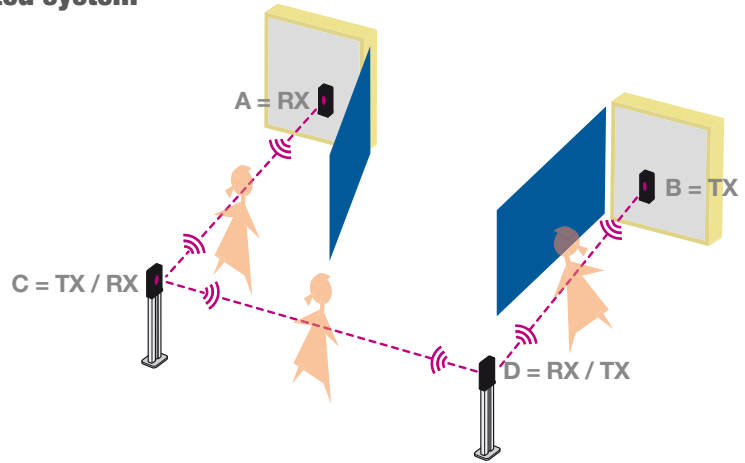
Synchronised infrared beam technology allows 001DELTA-SI and 001DELTA-SE photocells to be installed without being obliged to invert transmitter and receiver positions when the pairs are close to each other.

Delta S therefore allows multiple installations without any beam interference between the different devices, also with Doc series posts and flush-mounting casings.

The Db PERIMETER PROTECTION integrated system

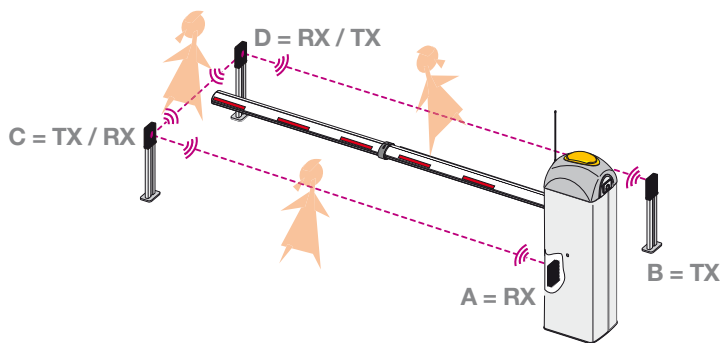
Example of perimeter protection of an installation with a **SWING GATE**

- A = 001DBC01 receiver
- B = 001DBC01 transmitter
- C = 001DBC03 repeater
- D = 001DBC04 repeater



Example of perimeter protection of an installation with a **ROAD BARRIER**

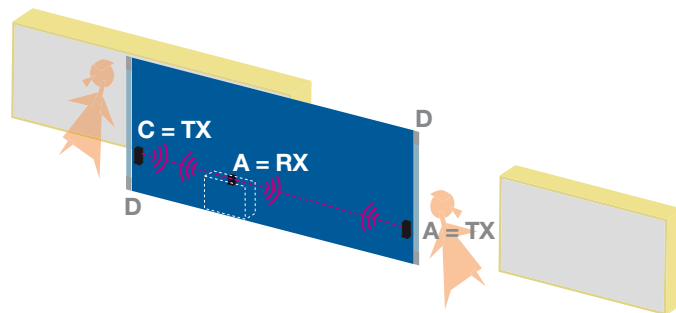
- A = 001DBC01 receiver
- B = 001DBC01 transmitter
- C = 001DBC03 repeater
- D = 001DBC04 repeater



The Db + Df integrated system

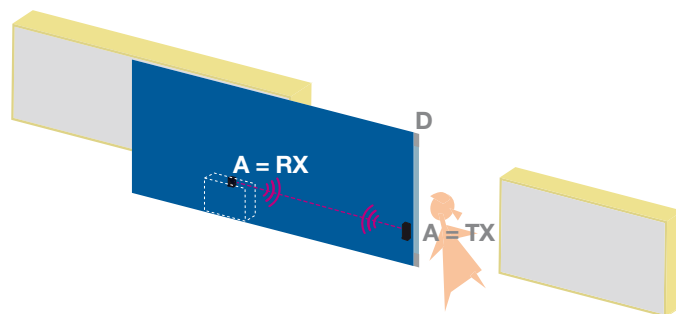
Protection example with integrated system photocells and sensitive edges with **BIDIRECTIONAL RECEIVER**

- A = Pair of 001DBS01 photocells
- B = Pair of 001DBS02 photocells
- C = 001DBCT transmitter module
- D = Df series safety sensitive edges



Protection example with integrated system photocells and sensitive edges with **MONODIRECTIONAL RECEIVER**

- A = Pair of 001DBS01 photocells
- B = Pair of 001DBS02 photocells
- D = Df series safety sensitive edges



Radio command

General features



CERTIFICATION OF THE RADIO SYSTEMS

All Came radio systems are certified to be used in both European and non-European countries.



Self-learning of the code TRANSMITTER – RECEIVER

The dedicated receiver memorises the transmitter code.



Self-learning of the code TRANSMITTER – TRANSMITTER

Duplicates one transmitter's code onto another transmitter.



Code MULTI-USER

Each transmitter button emits different codes, to control independent separate installations, which are within the same range of control.



TRANSPONDER FUNCTION

The transmitter is made to fit a TAG, which allows combined use of radio and transponder with a single device.



Eight CHANNELS

One transmitter controls eight-separate channels.

Features

	Model	Self-learning TRANSMITTER - TRANSMITTER	MULTI-USE	TRANSPONDER MODE	8 CHANNELS
Atomo 433.92 MHz	AT01		●	●	
	AT02		●	●	
	AT04		●	●	
Tam 433.92 MHz	T432		●		
	T434		●		
	T438		●		●
	TAM-432SA	●	●		
Tfm 30.900 MHz	T152		●		
	T154		●		
	T158		●		●
Top 433.92 MHz	TOP-432NA	●	●	●	
	TOP-434NA	●	●	●	
	TOP-432A		●		
	TOP-434A				
	TOP-432S				
Top 868.35 MHz	TOP-862NA	●	●	●	
	TOP-864NA	●	●	●	
Top 30.900 MHz	TOP-3022M		●		
	TOP-302A				
	TOP-304A				
Touch 433.92 MHz	TCH-4024	●	●	●	
	TCH-4048	●	●	●	●
Twin 433.92 MHz	TWIN2	●	●	●	
	TWIN4	●	●	●	



TRANSMITTER - RECEIVER combinations

	Model	CARDS PLUG-IN RECEIVERS								SURFACE-MOUNTED RECEIVERS							RADIO MODULES		
		AF43S	AF43SR	AF43SM	AF43TW	AF150	AF30	AF40	AF868	RE432RC	RBE4RC	RE432	RBE4MT	RE432TW	RE301	RE402	RE862	RBE4N	RBE42
Atomo 433.92 MHz	AT01		●							●									
	AT02		●							●	●								
	AT04		●							●	●								
Tam 433.92 MHz	T432	●		●								●	●					●	●
	T434	●		●								●	●					●	●
	T438	●		●								●	●					●	●
	TAM-432SA	●		●								●	●					●	●
Tfm 30.900 MHz	T152					●												●	●
	T154					●												●	●
	T158					●												●	●
Top 433.92 MHz	TOP-432NA	●		●								●	●					●	●
	TOP-434NA	●		●								●	●					●	●
	TOP-432A	●		●								●	●					●	●
	TOP-434A	●		●								●	●					●	●
	TOP-432S	●		●								●	●					●	●
Top 868.35 MHz	TOP-862NA								●								●	●	●
	TOP-864NA								●								●	●	●
Top 30.900 MHz	TOP-3022M						●								●			●	●
	TOP-302A						●								●			●	●
	TOP-304A						●								●			●	●
Touch 433.92 MHz	TCH-4024							●								●		●	●
	TCH-4048							●								●		●	●
Twin 433.92 MHz	TWIN2	●			●							●		●				●	●
	TWIN4	●			●							●		●				●	●

NOTE:
The radio module must be coupled to an AF plug-in radio frequency card. In order to choose the appropriate AF card, please check product pages dedicated to Came transmitters.

Complete sets



TRA03 - 12-24 V DC Top series

433.92 MHz complete radio system for universal use

Code	Description	Quantity
001TOP-432NA	Bi-channel multi-user transmitter. 4,096 combinations with self-learning function.	2
001RE432	12 - 24 V AC - DC IP54 surface-mounted bi-channel receiver.	1
001TOP-A433N	Antenna.	1
001TOP-RG58	Antenna cable.	m 5



TRA08 - 230 V AC Top series

433.92 MHz complete radio system for universal use

001TOP-434NA	4-channel multi-user transmitter. 4,096 combinations with self-learning function.	2
001AF43S	Plug-in radio frequency card.	1
001RBE42	230 V AC IP54 surface-mounted 4-channel radio module.	1
001TOP-A433N	Antenna.	1
001TOP-RG58	Antenna cable.	m 5



TRA10 - 12-24 V DC Tam series

Complete 433.92 MHz multi-user radio system up to 999 codes (users)

001TAM-432SA	Bi-channel multi-user transmitter. 16,777,216 combinations with self-learning function.	2
001RBE4MT	12 - 24 V AC - DC IP54 surface-mounted 4-channel multi-user receiver to store up to 999 codes (users).	1
001TOP-A433N	Antenna.	1
001TOP-RG58	Antenna cable.	m 5



Complete sets



TRA04 - 230 V AC H series

Complete command system with 433.92 MHz radio device for rolling shutters

Code	Description	Quantity
002 ZR24	Control panel with built-in radio decoder.	1
001 TOP-432NA	Bi-channel multi-user transmitter. 4,096 combinations with self-learning function.	1
001 AF43S	Plug-in radio frequency card.	1



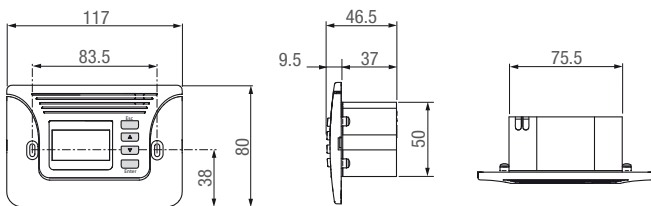
Home automation for up to 200 users

Ideal solution for controlling your house

- Commands up to five devices.
- Programmable alarm clock in two time slots.
- Regulates temperatures.
- Programming and managing of: indoor and garden lights, alarm system, gate opening, garden sprinkler.
- Access control in stand-alone mode with transponder cards.
- Multi-language menu.
- Password protected access to programming functions.

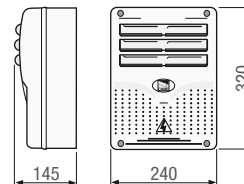


Dimensions (mm)



001WA01 - 001WA02

Dimensions (mm)



001WI08 INTERFACE

Limits to use

MODEL	WA01	WA02
Max number of users	200	200
Fitted to be flush-mounted	503 BOX	503 BOX

● 230 V AC ● 12 V AC

Technical features

Type	WA01	WA02	WI08
Protection rating IP	IP40	IP40	IP54
Power supply (V - 50/60 Hz)	230 AC	12 DC	230 AC
Radio signal frequency (MHz)	433.92	433.92	-
230 V relays output (A)	1.5	-	5
Operating temperature (°C/°F)	-20 ÷ +55/-4 ÷ +131°C/°F	-20 ÷ +55/-4 ÷ +131°C/°F	-20 ÷ +55/-4 ÷ +131°C/°F
Material	ABS - PC - PA6 - PMMA	ABS - PC - PA6 - PMMA	ABS

● 230 V AC ● 12 V

The complete range



Code	Description
433.92 MHz 230 V AC radio control unit	
001WA01	Home automation transponder sensor with built-in "stand-alone" transmitter (max 200 users).
433.92 MHz 12 V AC radio control unit and 230 V AC interface	
001WA02	Home automation transponder sensor with built-in transmitter.
001WI08	Interface unit to connect up to n. 8 001WA02.
Accessories for: 001WA01 - 001WA02	
001TST01	ISO 7810 - 7813 format transponder card.
009PCT	Keyfob transponder.
009TAG	Glass transponder bulb.



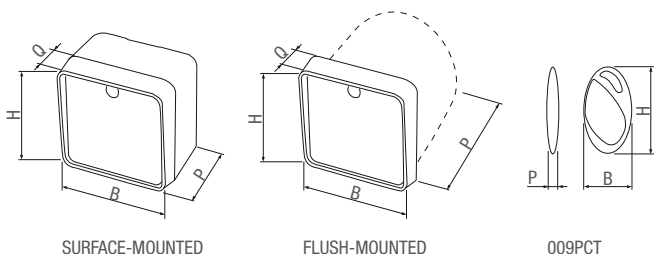
Key switch selectors

The control for all automated devices



- Made of die-cast aluminium, it resists breaking, entering and tampering.
- Available in the versions with key, magnetic key and transponder.

Dimensions



Dimensions (mm/in)

MODEL	MOUNTING	B	H	P	Q
SET-I - SET-K - SEM2	FLUSH-MOUNTED	70/2.75	70/2.75	73/2.87	13/0.51
SET-E	SURFACE-MOUNTED	70/2.75	70/2.75	51/2	13/0.51
SET-EN	SURFACE-MOUNTED	70/2.75	70/2.75	51/2	13/0.51
SET-J - TSP01	SURFACE-MOUNTED	70/2.75	70/2.75	32/1.25	13/0.51
SEM2	SURFACE-MOUNTED	70/2.75	70/2.75	73/2.87	13/0.51
SMA - SMA2 - SMA220	TO BUILD INTO THE PANEL	23/0.9	94/3.7	92/3.62	-
PCT	-	33/1.29	49/1.92	4/0.15	-
TST01	-	ISO7810 - 7813 (85 x 54 mm)			-

Technical features

Type	SET-I	SET-E - SET-EN	SET-J	SET-K	SEM2	TSP01	SMA - SMA2	SMA220
Protection rating IP	IP54	IP54	IP54	IP54	IP54	IP54	-	-
Power supply (V)	-	-	-	-	-	-	-	230 AC
Contacts output (A - V)	1 - 24	1 - 24	3 - 24	3 - 24	1 - 24	5 - 24	5 - 24	5 - 24
Max number of associable cards	-	-	-	-	-	250	-	-
Operating temperature (°C/°F)	-20 ÷ +55/-4 ÷ +131							
Material	ALUMINIUM ALLOY	ALUMINIUM ALLOY	ALUMINIUM ALLOY	ALUMINIUM ALLOY	ALUMINIUM ALLOY	ALUMINIUM ALLOY	ABS	ABS

The complete range



Code	Description
Key-switches	
001SET-I	Flush-mounted key switch with aluminium alloy casing and DIN cylinder.
001SET-E	Surface-mounted key switch with aluminium alloy casing and DIN cylinder.
001SET-EN	Black-varnished, surface-mounted key switch with aluminium alloy casing and DIN cylinder.
001SET-K	Flush-mounted key switch with aluminium alloy casing, lock protecting flap-door and cylinder.
001SET-J	Surface-mounted key switch with aluminium alloy casing, lock protecting flap-door and cylinder.
Magnetic-key switches	
001SEM-2	Surface-mounted magnetic key switch with aluminium alloy casing.
Transponder sensors	
001TSP01	"Stand-alone" transponder for card, key-fob and TAGs for up to 250 users.
24 V AC - DC magnetic sensors	
009SMA	24 V AC - DC one-channel magnetic loop-detector sensor.
009SMA2	24 V AC - DC bi-channel magnetic loop-detector sensor.
230 V AC magnetic sensors	
009SMA220	230 V AC bi-channel magnetic loop-detector sensor.
Accessories for: 001SET-I - 001SET-K - 001TSP01	
001CSS	Natural anodised aluminium post. H = 1 m / 3.28 ft.
001CSSN	Black anodised aluminium post. H = 1 m / 3.28 ft.
Accessories for: 001SEM-2	
001SEC	Code magnetic key.
001CLM	Natural anodised aluminium post H = 1 m / 3.28 ft with tamper-proof support.
001CLMN	Black anodised aluminium post H = 1 m / 3.28 ft with tamper-proof support.
Accessories for: 001TSP01	
001TST01	ISO 7810 - 7813 format transponder card.
009PCT	Keyfob transponder.
009TAG	Glass transponder bulb.



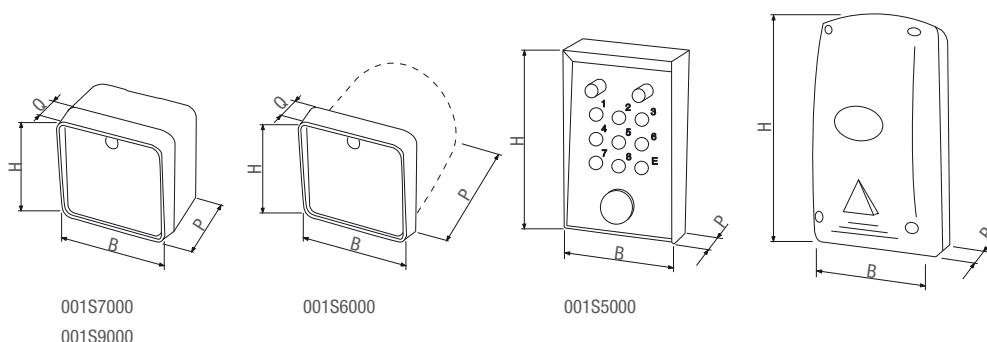
Digital keypads

The digital control for all automated devices



- Safe and reliable thanks to the electronic anti-break-in system.
- Also with radio even for those systems not specifically designed to work with radio.
- Made of aluminium and stainless steel for resistance, reliability and duration over time.

Dimensions



Dimensions (mm/in)

MODEL	MOUNTING	B	H	P	Q
S5000	SURFACE-MOUNTED	80/3.14	130/5.11	40/1.57	-
S6000	FLUSH-MOUNTED	70/2.75	70/2.75	73/2.87	13/4.84
S7000	SURFACE-MOUNTED	70/2.75	70/2.75	51/2	13/4.84
S9000	SURFACE-MOUNTED	70/2.75	70/2.75	32/1.25	13/4.84
S0001 - S0002	SURFACE-MOUNTED	124/4.88	84/3.30	62/2.44	-
S0004N	SURFACE-MOUNTED	115/4.52	225/8.85	87/3.42	-

● 12 - 24 V AC - DC

Technical features

Type	S0001	S0002	S0004N	S9000
Protection rating IP	IP54	IP54	IP54	IP54
Power supply (V)	12 - 24 AC - DC	12 - 24 AC - DC	12 - 24 AC - DC	1 GP23A 12 V DC BATTERY
Combinations	16,777,216	1,679,616	1,679,616	1,562,500
Radio signal frequency (MHz)	-	-	-	433.92
Code ciphers	8 MAX	6 MAX	6 MAX	8 MAX
Operating temperature (°C/°F)	-20 ÷ +55/-4 ÷ +131°C/°F	-20 ÷ +55/-4 ÷ +131°C/°F	-20 ÷ +55/-4 ÷ +131°C/°F	-20 ÷ +55/-4 ÷ +131°C/°F
Material	ALUMINIUM ALLOY - STEEL	ALUMINIUM ALLOY - STEEL	ALUMINIUM ALLOY - STEEL	ALUMINIUM ALLOY - STEEL

● 12 - 24 V AC - DC

The complete range



Code **Description**

Keypad digital selectors

001 S5000	Galvanized and painted steel surface-mounted keypad with illuminated panel. 16,777,216 combinations.
001 S6000	Flush-mounted keypad. 1,679,616 combinations.
001 S7000	Surface-mounted keypad. 1,679,616 combinations.
001 S9000	433.92 MHz surface-mounted radio keypad with 4 storable codes and programming-access password. 1,562,500 combinations (390,625 possible combinations per each code).



Accessories for: 001S5000 - 001S6000 - 001S7000

001 S0001	One-channel card.
001 S0002	Bi-channel card.
001 S0004N	4-channel card. Possibility of radio controlling the 1st channel



433.92 MHz plug-in receivers for: 001S9000

001 AF43S	Plug-in radio frequency card.
001 AF43SM	Plug-in radio frequency card with "eeprom" to store up to 128 codes (users).



433.92 MHz surface-mounted receivers for: 001S9000

001 RE432	12 - 24 V AC - DC IP54 surface-mounted bi-channel receiver.
001 RBE4MT	12 - 24 V AC - DC IP54 surface-mounted 4-channel multi-user receiver to store up to 999 codes (users).



Accessories for: 001S6000 - 001S9000

001 CSS	Natural anodised aluminium post. H = 1 m / 3.28 ft.
001 CSSN	Black anodised aluminium post. H = 1 m / 3.28 ft.



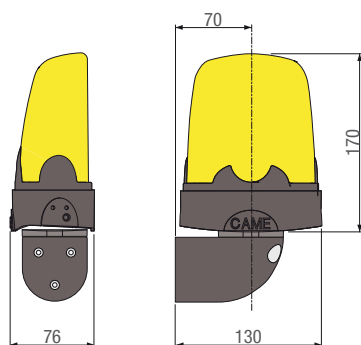
Flashing lights



The flashing light even with manoeuvre counter function

- Careful design and highest quality materials for a flashing light that provides much more than just a light signal.
- Some models feature a special gate-run counter function that facilitates the system scheduled maintenance.
- A wall-mounting support to solve any installation issues.

Dimensions (mm)



Type of lamp (w)

MODEL	LAMP	MANOEUVRE COUNTER
KIARON	25	-
KIAROIN	25	YES
KIAROLXN	6 XENON	-
KIARO24N	25	-
KIARO24IN	25	YES

● 230 V AC ● 24 V AC - DC

Technical features

Type	KIARON	KIAROIN	KIAROLXN	KIARO24N	KIARO24IN
Protection rating	IP54	IP54	IP54	IP54	IP54
Power supply (V - 50/60 Hz)	230 AC	230 AC	230 AC	24 - 24 AC - DC	24 - 24 AC - DC
Duty cycle (%)	50	50	50	50	50
Operating temperature (°C/°F)	-20 ÷ +55/-4 ÷ +131°C/°F	-20 ÷ +55/-4 ÷ +131°C/°F	-20 ÷ +55/-4 ÷ +131°C/°F	-20 ÷ +55/-4 ÷ +131°C/°F	-20 ÷ +55/-4 ÷ +131°C/°F
Material	ABS - POLYCARBONATE	ABS - POLYCARBONATE	ABS - POLYCARBONATE	ABS - POLYCARBONATE	ABS - POLYCARBONATE

● 230 V AC ● 24 V AC - DC

The complete range



Code	Description
230 V AC flashing lights	
001 KIARON	Flashing light.
001 KIAROLXN	Flashing light with xenon lamp.
001 KIAROIN	Flashing light with manoeuvres counter function.
24 V AC - DC flashing lights	
001 KIAR024N	Flashing light.
001 KIAR024IN	Flashing light with manoeuvres counter function.
Accessories	
001 KIAROS	Wall fixing bracket.



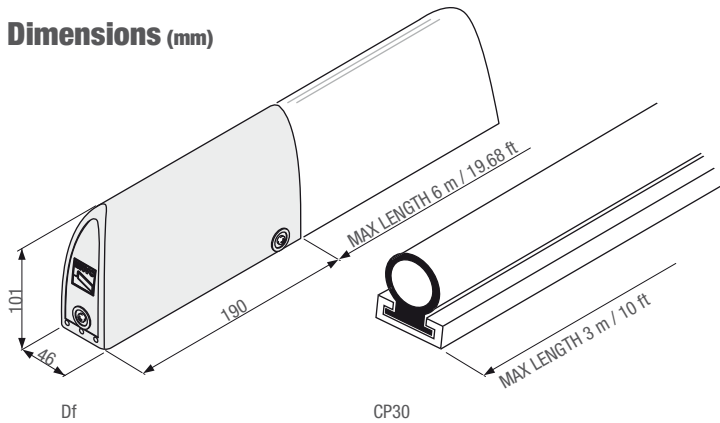
Safety sensitive edges up to 6 m / 19.68 ft

The certified sensitive edges for total protection

- An exclusive Came patent for a total protection from mechanical hazards.
- The right solution for a high-level of safety and quality of the automated installation.
- An EN 12978 and EN 954-1 compliant product.



Dimensions (mm)



Limits to use

MODEL	DF15 - DF17 - DF20 - DF25	CP30	BRC15
Max length of assemblable profile (m/ft)	6/19.68	3/9.84	15/49.21
Max speed measured on leaf edge (m/min - ft/min)	12/39.37	-	-
Max length of cable collector system 001BRC15 (m/ft)	-	-	15/49.21

Technical features

Type	DF15 - DF17 - DF20 - DF25 - TMF - TMF6	CP30
Protection rating IP	IP54	IP54
24 V relais output (A)	1	-
Operating temperature (°C/°F)	-20 ÷ +55/-4 ÷ +131°C/°F	-20 ÷ +55/-4 ÷ +131°C/°F
Material	TPE 65 SHORT A	TPE 65 SHORT A

The complete range



Code	Description
Safety sensitive edges	
001DF15	Safety sensitive mechanical edge - length 1.5 m / 4.92 ft.
001DF17	Safety sensitive mechanical edge - length 1.7 m / 5.57 ft.
001DF20	Safety sensitive mechanical edge - length 2 m / 6.56 ft.
001DF25	Safety sensitive mechanical edge - length 2.5 m / 8.2 ft.
Components to assemble safety sensitive edges	
001CMP	Rubber and aluminium profile for sensitive edges. Max length 4 ÷ 6 m / 13.12 ÷ 19.68 ft.
001TMF	Set of caps and mechanisms for maximum 4 m / 13.12 ft long safety sensitive edges.
001TMF6	Set of caps and mechanisms for maximum 6 m / 19.68 ft long safety sensitive edges.
Components for: Df series and assembled safety sensitive edges	
001DFI	Self-diagnosing card for electrical connections.
Cable collecting devices	
001BRC15	Power cable collecting device for safety sensitive edges for sliding gates of up to 15 m / 49.21 ft in length.
001BRCP	Aluminium profile for extension L = 5.10 m / 16.4 ft to couple with a 001BRC15. Application example: on a 15 m sliding gate set up: n. 1 001BRC15 + n. 3 001BRCP.
Pneumatic sensitive edges	
009CP30	Rubber and aluminium profile for pneumatic sensitive edges. H = 30 mm / 1.18 in. (Max length 3 m / 10 ft).
001PPA	N.O. contact pressure-switch.
001PPC	N.C. contact pressure-switch.
009TBP	Connector tube for 001PPC and 001PPA.
009TP30	Rubber cap for pneumatic sensitive edges H = 30 mm / 1.18 in.



NOTE:
001DFI is 12 - 24 V AC - DC.

Delta-Dir-Delta S



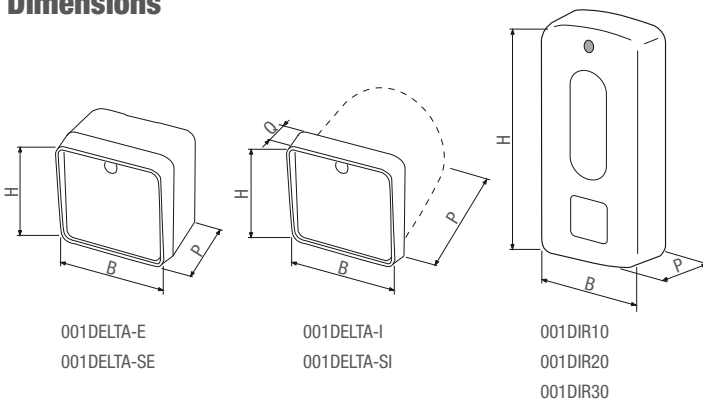
Photocells

Safety devices for gates and doors in movement



- Controlling of the gate movement areas.
- Infrared beam, even synchronised, to fend off possible external signal disturbances.
- For the Dir series photocells a double height post is available for installations on passage ways where heavy vehicles transit.
- Today Came offers its Delta series infrared beam and Delta S synchronised beam photocells: one design for surface and flush-mounted applications.
- High-grade of protection from environmental agents.

Dimensions



Dimensions (mm/in)

MODEL	MOUNTING	B	H	P	Q
DELTA - E	SURFACE-MOUNTED	70/2.75	70/2.75	36/1.41	-
DELTA - SE	SURFACE-MOUNTED	70/2.75	70/2.75	36/1.41	-
DELTA - I	FLUSH-MOUNTED	70/2.75	70/2.75	52/2.04	16/0.62
DELTA - SI	FLUSH-MOUNTED	70/2.75	70/2.75	52/2.04	16/0.62
DIR10 - DIR20 - DIR30	SURFACE-MOUNTED	46/ 1.81	108/4.25	23/0.9	-

● 12 - 24 V AC - DC

Limits to use

MODEL	DELTA-E - DELTA-I	DELTA-SE - DELTA-SI	DIR10	DIR20	DIR30
Max range (m/ft)	20/65.61	20/65,61	10 /32.8	20/65.62	30/98.42

● 12 - 24 V AC - DC

Technical features

Type	DELTA-E - DELTA-I	DELTA-SE - DELTA-SI	DIR10 - DIR20 - DIR30
Protection rating IP	IP54	IP54	IP54
Power supply (V)	12 - 24 AC - DC	12 - 24 AC - DC	12 - 24 AC - DC
24 V relais output (mA)	500	500	1000
24 V AC current draw (mA)	110	70	60
Operating temperature (°C/°F)	-20 ÷ +55/-4 ÷ +131°C/°F	-20 ÷ +55/-4 ÷ +131°C/°F	-20 ÷ +55/-4 ÷ +131°C/°F
Material	ABS - POLYCARBONATE	ABS - POLYCARBONATE	ABS - POLYCARBONATE

● 12 - 24 V AC - DC

The complete range



Code	Description
Delta series infrared beam photocells	
001 DELTA-I	Pair of flush-mounted photocells complete with casing. Range: 20 m / 65.62 ft.
001 DELTA-E	Pair of surface-mounted photocells. Range: 20 m / 65.62 ft.
Dir series photocells with synchronised infrared beam	
001 DIR10	Pair of photocells. Range: 10 m / 32.8 ft.
001 DIR20	Pair of photocells. Range: 20 m / 65.62 ft.
001 DIR30	Pair of photocells. Range: 30 m / 98.42 ft.
Delta S series photocells with synchronised infrared beam	
001 DELTA-SI	Pair of flush-mounted photocells complete with casing. Range: 20 m / 65.62 ft.
001 DELTA-SE	Pair of surface-mounted photocells. Range: 20 m / 65.62 ft.
Accessories for: 001DELTA-I - 001DELTA-SI	
009 DOC-S	Flush-mounted casing.
001 DOC-L	Natural anodised aluminium post. H = 500 mm / 1.64 ft.
001 DOC-LN	Black anodised aluminium post. H = 500 mm / 1.64 ft.
Accessories for: 001DELTA-E - 001DELTA-SE	
001 DOC-R	Steel support for pillar surface mounting.
Accessories for: 001DIR10 - 001DIR20 - 001DIR30	
001 DIRZ	Aluminium alloy impact-proof protection.
001 DIR-S	Flush-mounted casing.
001 DIR-L	Natural anodised aluminium post. H = 500 mm / 1.64 ft.
001 DIR-LN	Black anodised aluminium post. H = 500 mm / 1.64 ft.
Accessories for: 001DIR-L e 001DIR-LN	
001 DIR-P	Natural anodised aluminium extension H = 500 mm / 1.64 ft post. To apply with double pair of photocells.
001 DIR-PN	Black anodised aluminium extension H = 500 mm / 1.64 ft post. To apply with double pair of photocells.



NOTE:
001DELTA-I - 001DELTA-E Max number of pairs of photocells on a single installation: 4.

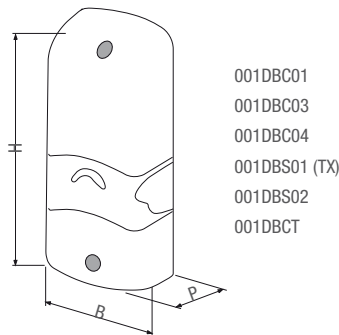
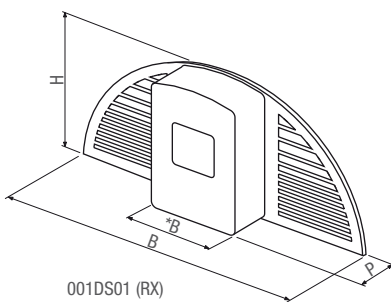
Cordless photocells



Infrared beam safety device

- The cordless photocells for easy perimeter coverage thanks to the bi-directional beam emitted by the repeaters and transmitters.
- Battery power for even easier handling.
- The 001DBS01 and 001DBS02 photocells with Df sensitive edges: photocells beam transmission onto the moving gate leaf edge ensures a total safety and protection.

Dimensions



Dimensions (mm/in)

MODEL	MOUNTING	B	H	P
DBC01	SURFACE-MOUNTED	52/2.04	140/5.51	25/0.98
DBC03	SURFACE-MOUNTED	52/2.04	140/5.51	25/0.98
DBC04	SURFACE-MOUNTED	52/2.04	140/5.51	25/0.98
DBS01 (TX)	SURFACE-MOUNTED	52/2.04	140/5.51	25/0.98
DBS01 (RX)	SURFACE-MOUNTED	150/5.90 - *46/1.81	71/2.79	25/0.98
DBS02	SURFACE-MOUNTED	52/2.04	140/5.51	25/0.98
DBCT	SURFACE-MOUNTED	52/2.04	140/5.51	25/0.98

● 12 - 24 V AC - DC

Limits to use

MODEL	DBC01 - DBC03 - DBC04 - DBS01 DBS02 - DBCT
Max range (m/ft)	10 /32.8

● 12 - 24 V AC - DC

Technical features

Type	DBC01 - DBC03 - DBC04	DBS01 - DBS02 - DBCT
Protection rating IP	IP54	IP54
Power supply (V)	12 - 24 AC - DC (only RX of 001DBC01)	12 - 24 AC - DC (only RX of 001DBS01 and 001DBS02)
Batteries (V)	4 x 1,5 AAA MIN 1000 mAh	4 x 1,5 AAA MIN 1000 mAh
24 V relais output (mA)	500	1
Current draw	DBC01 (TX 70 µA - RX 50 mA) - DBC03 (150 µA) - DBC04 (150 µA)	RX of 001DBS01 and 001DBS02 48 mA - TX 70 mA (24 V AC)
Operating temperature (°C/°F)	-20 ÷ +55/-4 ÷ +131°C/°F	-20 ÷ +55/-4 ÷ +131°C/°F
Material	ABS - POLYCARBONATE	ABS - POLYCARBONATE

● 12 - 24 V AC - DC

The complete range



Code	Description
Db series cordless photocells	
001DBC01	Pair of surface-mounted "cordless" photocells with synchronised mono-directional infrared beam. Range: 10 m / 32.8 ft (1 receiver + 1 transmitter with batteries).
001DBC03	Surface-mounted repeater module with bi-directional infrared beam. Range: 10 m / 32.8 ft (1 lateral receiver + 1 front transmitter with batteries).
001DBC04	Surface-mounted repeater module with bi-directional infrared beam. Range: 10 m / 32.8 ft (1 front receiver + 1 lateral transmitter with batteries).
Mobile connection systems for Df safety sensitive edges for automation systems of the series: Bx-243 - Bx - Bk	
001DBS01	Pair of cordless bi-directional infrared photocells with single contact output. Range: max 10 m / 32.8 ft. Built-in receiver and external transmitter with batteries.
001DBS02	Pair of cordless bi-directional infrared photocells with double contact output. Range: max 10 m / 32.8 ft. Built-in receiver and external transmitter with batteries.
Accessories for: 001DBS02	
001DBCT	Surface-mounted battery-charged transmitter module. Range: max 10 m / 32.8 ft.
Accessories for: 001DBC01 - 001DBC03 - 001DBC04	
001DB-L	Natural anodised aluminium post. H = 500 mm / 1.64 ft.
001DB-LN	Black anodised aluminium post. H = 500 mm / 1.64 ft.



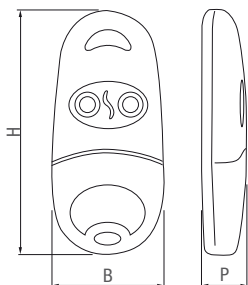
433.92 MHz rolling code radio command

The ideal solution for multi-user settings with unclonable code.



- Rolling code: the “dynamic code” technology that guarantees signal safety and secrecy.
- Transmitter to transmitter self-learning.
- Even with transponder function.
- Available in the one-channel, two-channel and four-channel versions.
- 4,294,967,896 combinations.

Dimensions of transmitters



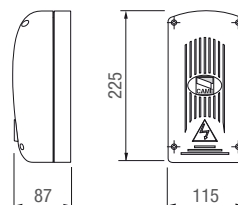
Dimensions (mm/in)

MODEL	B	H	P	Weight (g/oz)
AT01	32/1.25	68/2.67	13/0.51	16/0.56
AT02	32/1.25	68/2.67	13/0.51	16/0.56
AT04	40/1.57	85/3.34	12/0.47	22/0.77

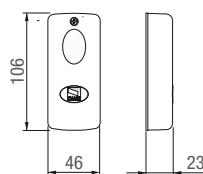
Limits to use

MODEL	Range (m)
AT01	50 ÷ 150 / 160 ÷ 500
AT02	50 ÷ 150 / 160 ÷ 500
AT04	50 ÷ 150 / 160 ÷ 500

Dimensions of receivers (mm)



001RBE4RC



001RE432RC

Technical features

Type	AT01 - AT02 - AT04
Batteries	2 X CR2016 LITHIUM
Combinations	4,294,967,896
Operating temperature (°C/°F)	-20 ÷ +55/-4 ÷ +131°C/°F
Material	ABS

The complete range



Code	Description
433.92 MHz rolling code transmitters	
001AT01	One-channel rolling code transmitter. 4,294,967,896 combinations.
001AT02	Bi-channel rolling code transmitter. 4,294,967,896 combinations.
001AT04	4-channel rolling code transmitter. 4,294,967,896 combinations.
433.92 MHz plug-in rolling code receiver	
001AF43SR	Plug-in radio frequency card for max. 25 transmitters.
433.92 MHz surface-mounted rolling code receivers	
001RE432RC	Surface-mounted bi-channel receiver for max. 25 transmitters - IP54, 12 - 24 V AC - DC.
001RBE4RC	12 - 24 V AC - DC IP54 surface-mounted 4-channel receiver for max. 500 transmitters, complete with n. 1 001AT04 transmitter (master).
Accessories for: 001AT01 - 001AT02 - 001AT04	
009TAG	Glass transponder bulb.
001P3V	Package of n. 2 3 V DC type CR2016 lithium batteries.
Accessories for receivers	
001TOP-A433N	Antenna.
001TOP-RG58	Antenna cable.



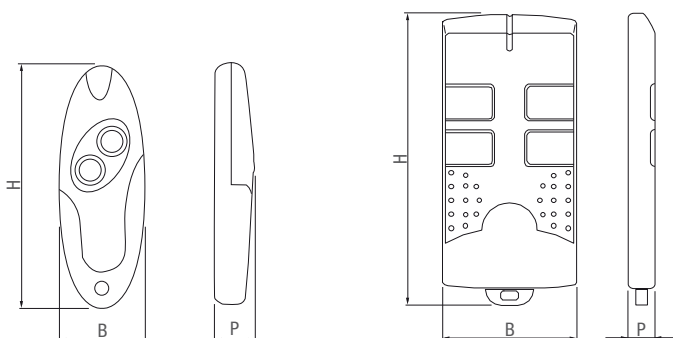
433.92 MHz radio command

The ideal solution for apartment blocks



- A concentration of technology packed into just 12 grams.
- Transmitter to transmitter self-learning.
- Multi-user function.
- Available in versions from two to eight channels.
- 16,777,216 combinations.

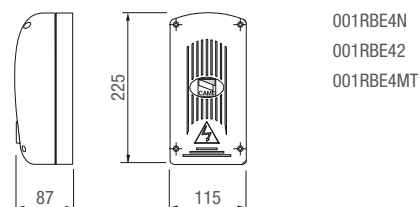
Dimensions of transmitters



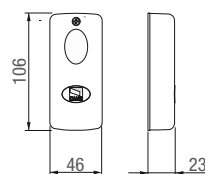
Dimensions (mm/in)

MODEL	B	H	P	Weight (g/oz)
TAM-432SA	24/0.94	68/2.67	12.5/0.49	12/0.42
T432	45/1.77	92/3.62	15/0.59	44/1.55
T434	45/1.77	92/3.62	15/0.59	46/1.62
T438	45/1.77	92/3.62	15/0.59	46/1.62

Dimensions of receivers (mm)



001RBE4N
001RBE42
001RBE4MT



001RE432

Limits to use

MODEL	Range (m)
TAM-432SA	50 ÷ 150 / 160 ÷ 500
T432	50 ÷ 150 / 160 ÷ 500
T434	50 ÷ 150 / 160 ÷ 500
T438	50 ÷ 150 / 160 ÷ 500

Technical features

Type	TAM-432SA	T432 - T434 - T438
Batteries	2 X CR2016 LITHIUM	1 x 12 V AAA
Combinations	16,777,216	16,777,216
Operating temperature (°C/°F)	-20 ÷ +55/-4 ÷ +131°C/°F	-20 ÷ +55/-4 ÷ +131°C/°F
Material	ABS	ABS

The complete range



Code	Description
433.92 MHz transmitters	
001 TAM-432SA	Bi-channel multi-user transmitter. 16,777,216 combinations with self-learning function.
001 T432	Bi-channel multi-user transmitter. 16,777,216 combinations.
001 T434	4-channel multi-user transmitter. 16,777,216 combinations.
001 T438	8-channel multi-user transmitter. 16,777,216 combinations.
433.92 MHz plug-in receivers	
001 AF43S	Plug-in radio frequency card.
001 AF43SM	Plug-in radio frequency card with "eeprom" to store up to 128 codes (users).
433.92 MHz surface-mounted receivers	
001 RE432	12 - 24 V AC - DC IP54 surface-mounted bi-channel receiver.
001 RBE4MT	12 - 24 V AC - DC IP54 surface-mounted 4-channel multi-user receiver to store up to 999 codes (users).
230 V AC surface-mounted radio module	
001 RBE42	230 V AC IP54 surface-mounted 4-channel radio module.
12 - 24 V AC - DC surface-mounted radio module	
001 RBE4N	12 - 24 V AC - DC IP54 surface-mounted 4-channel multi-user radio module.
Accessories for: 001 TAM-432SA	
001 P3VB	Package of n. 2 3 V DC type CR1620 lithium batteries.
Accessories for receivers	
001 TOP-A433N	Antenna.
001 TOP-RG58	Antenna cable.



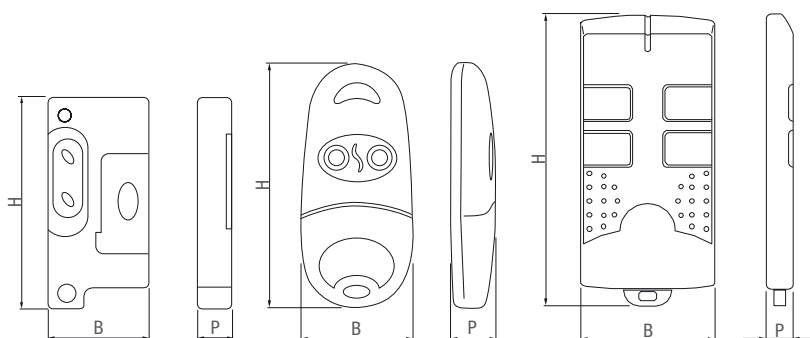
433.92 MHz radio command

The ideal solution for residential premises

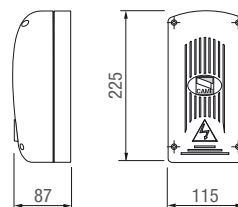


- Available in five radio command models.
- Transmitter to transmitter self-learning.
- Even with transponder function.
- 4,096 combinations.

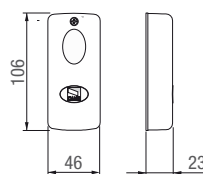
Dimensions of transmitters



Dimensions of receivers (mm)



001RBE4N
001RBE42
001RBE4MT



001RE432

Dimensions (mm/in)

MODEL	B	H	P	Weight (g/oz)
TOP-432S	31/1.22	65/2.55	15/0.59	25/0.88
TOP-432NA	32/1.25	68/2.67	13/0.51	16/0.56
TOP-434NA	40/1.57	85/3.34	12/0.47	22/0.77
TOP-432A	45/1.77	92/3.62	15/0.59	44/1.55
TOP-434A	45/1.77	92/3.62	15/0.59	45/1.58

Limits to use

MODEL	Range (m)
TOP-432S	50 ÷ 150 / 160 ÷ 500
TOP-432NA	50 ÷ 150 / 160 ÷ 500
TOP-434NA	50 ÷ 150 / 160 ÷ 500
TOP-432A	50 ÷ 150 / 160 ÷ 500
TOP-434A	50 ÷ 150 / 160 ÷ 500

Technical features

Type	TOP-432NA - TOP-434NA	TOP-432A - TOP-434A - TOP-432S
Batteries	2 X CR2016 LITHIUM	1 x 12 V AAA
Combinations	4,096	1,024
Operating temperature (°C/°F)	-20 ÷ +55/-4 ÷ +131°C/°F	-20 ÷ +55/-4 ÷ +131°C/°F
Material	ABS	ABS

The complete range



Code	Description
433.92 MHz transmitters	
001TOP-432NA	Bi-channel multi-user transmitter. 4,096 combinations with self-learning function.
001TOP-434NA	4-channel multi-user transmitter. 4,096 combinations with self-learning function.
001TOP-432A	Bi-channel transmitters. 1,024 combinations.
001TOP-434A	4-channel multi-user transmitter. 1,024 combinations.
001TOP-432S	Bi-channel miniaturised transmitter. 1,024 combinations.
433.92 MHz plug-in receivers	
001AF43S	Plug-in radio frequency card.
001AF43SM	Plug-in radio frequency card with "eeprom" to store up to 128 codes (users).
433.92 MHz surface-mounted receivers	
001RE432	12 - 24 V AC - DC IP54 surface-mounted bi-channel receiver.
001RBE4MT	12 - 24 V AC - DC IP54 surface-mounted 4-channel multi-user receiver to store up to 999 codes (users).
230 V AC surface-mounted radio module	
001RBE42	230 V AC IP54 surface-mounted 4-channel radio module.
12 - 24 V AC - DC surface-mounted radio module	
001RBE4N	12 - 24 V AC - DC IP54 surface-mounted 4-channel multi-user radio module.
Accessories for: 001TOP-432NA - 001TOP-434NA	
009TAG	Glass transponder bulb.
001P3V	Package of n. 2 3 V DC type CR2016 lithium batteries.
Accessories for receivers	
001TOP-A433N	Antenna.
001TOP-RG58	Antenna cable.



NOTE:
001TOP-432NA - 001TOP-434NA Max number of operators with differentiated code suggested for a single installation: 20.
Ex.: an apartment block with 20 customised garage doors.

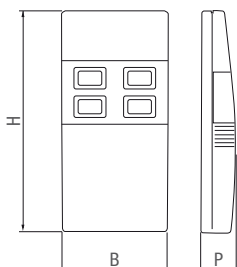
433.92 MHz radio command with KEY CODE

The ideal solution for both apartment blocks and multi-use settings



- Key Code transmitter, the password code protects the transmitter from unauthorised duplications.
- Available in either two or four channel versions.
- Even with transponder function.
- 4,294,967,896 combinations.
- Modern and elegant design.

Dimensions of transmitters



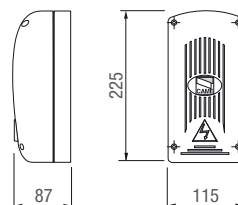
Dimensions (mm/in)

MODEL	B	H	P	Weight (g/oz)
TWIN2	32/1.25	68/2.67	13/0.51	16/0.56
TWIN4	32/1.25	68/2.67	13/0.51	16/0.56

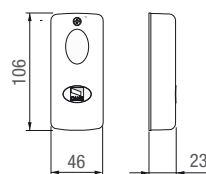
Limits to use

MODEL	Range (m)
TWIN2	50 ÷ 150 / 160 ÷ 500
TWIN4	50 ÷ 150 / 160 ÷ 500

Dimensions of receivers (mm)



001RBE4N
001RBE42



001RE432
001RE432TW

Technical features

Type	TWIN2 - TWIN4
Batteries	2 X CR2016 LITHIUM
Combinations	4,294,967,896
Operating temperature (°C/°F)	-20 ÷ +55/-4 ÷ +131°C/°F
Material	ABS

The complete range



Code	Description
433.92 MHz transmitters with KEY CODE function	
001TWIN2	Bi-channel transmitter with KEY CODE function. 4,294,967,892 combinations.
001TWIN4	4-channel transmitter with KEY CODE function. 4,294,967,892 combinations.
433.92 MHz receivers with KEY CODE function	
001AF43TW	Plug-in radio frequency card.
433.92 MHz receivers with KEY CODE function	
001RE432TW	12 - 24 V AC - DC IP54 surface-mounted bi-channel receiver.
001AF43S	Plug-in radio frequency card.
001AF43SM	Plug-in radio frequency card with "eeprom" to store up to 128 codes (users).
433.92 MHz surface-mounted receivers	
001RE432	12 - 24 V AC - DC IP54 surface-mounted bi-channel receiver.
230 V AC surface-mounted radio module	
001RBE42	230 V AC IP54 surface-mounted 4-channel radio module.
12 - 24 V AC - DC surface-mounted radio module	
001RBE4N	12 - 24 V AC - DC IP54 surface-mounted 4-channel multi-user radio module.
Accessories for: 001TWIN2 - 001TWIN4	
009TAG	Glass transponder bulb.
001P3V	Package of n. 2 3 V DC type CR2016 lithium batteries.
Accessories for receivers	
001TOP-A433N	Antenna.
001TOP-RG58	Antenna cable.



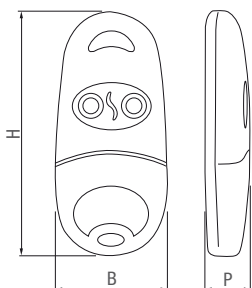
868.35 MHz radio command

The ideal solution for residential premises

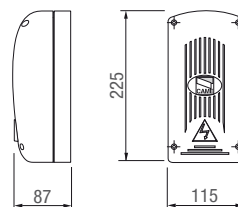


- Transmitter to transmitter self-learning.
- Even with transponder function.
- Multi-user function.
- 4,096 combinations.

Dimensions of transmitters (mm)



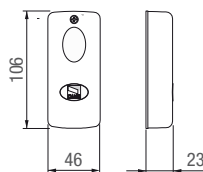
Dimensions of receivers (mm)



001RBE4N
001RBE42

Dimensions (mm/in)

MODEL	B	H	P	Weight (g/oz)
TOP-862NA	32/1.25	68/2.67	13/0.51	16/0.56
TOP-864NA	40/1.57	85/3.34	12/0.47	22/0.77



001RE862

Limits to use



MODEL	Range (m)
TOP-862NA	50 ÷ 150 / 160 ÷ 500
TOP-864NA	50 ÷ 150 / 160 ÷ 500

Technical features

Type	TOP-862NA - TOP-864NA
Batteries	2 X CR2016 LITHIUM
Combinations	4,096
Operating temperature (°C/°F)	-20 ÷ +55/-4 ÷ +131°C/°F
Material	ABS

The complete range



Code	Description
868.35 MHz transmitters	
001 TOP-862NA	Bi-channel multi-user transmitter. 4,096 combinations with self-learning function.
001 TOP-864NA	4-channel multi-user transmitter. 4,096 combinations with self-learning function.
868.35 MHz plug-in receivers	
001 AF868	Plug-in radio frequency card.
868.35 MHz surface-mounted receivers	
001 RE862	12 - 24 V AC - DC IP54 surface-mounted bi-channel receiver.
	
230 V AC surface-mounted radio module	
001 RBE42	230 V AC IP54 surface-mounted 4-channel radio module.
12 - 24 V AC - DC surface-mounted radio module	
001 RBE4N	12 - 24 V AC - DC IP54 surface-mounted 4-channel multi-user radio module.
	
Accessories for: 001TOP-862NA - 001TOP-864NA	
009 TAG	Glass transponder bulb.
001 P3V	Package of n. 2 3 V DC type CR2016 lithium batteries.
Accessories for receivers	
001 TOP-A862N	Antenna.
001 TOP-RG58	Antenna cable.



NOTE:
001TOP-862NA - 001TOP-864NA Max number of operators with differentiated code suggested for a single installation: 20.
Ex.: an apartment block with 20 customised garage doors.

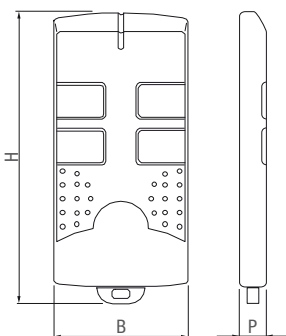
30.900 MHz radio command

The ideal solution for residential premises

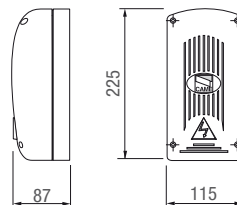


- The TOP-3022M transmitter features a double coded digital function and multi-user function.
- 1,024 combinations.

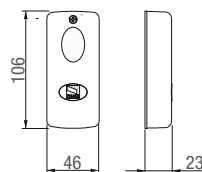
Dimensions of transmitters (mm)



Dimensions of receivers (mm)



001RBE4N
001RBE42



001RE301

Dimensions (mm/in)

MODEL	B	H	P	Weight (g/oz)
TOP-302A	58/2.28	113/4.44	23/0.9	16/0.56
TOP-304A	58/2.28	113/4.44	23/0.9	22/0.77
TOP-3022M	40/1.57	88/3.46	20/0.76	30/1.05

Limits to use

MODEL	Range (m)
TOP-302A	50 ÷ 150 / 160 ÷ 500
TOP-304A	50 ÷ 150 / 160 ÷ 500
TOP-3022M	50 ÷ 150 / 160 ÷ 500

Technical features

Type	TOP-302A - TOP-304A - TOP-3022M
Batteries	1 x 12 V AAA
Combinations	1,024
Operating temperature (°C/°F)	-20 ÷ +55/-4 ÷ +131°C/°F
Material	ABS

The complete range



Code	Description
30.900 MHz transmitters	
001 TOP-302A	Bi-channel transmitter. 1,024 combinations.
001 TOP-304A	4-channel transmitter. 1,024 combinations.
001 TOP-3022M	Multi-user bi-channel transmitter. 1,024 combinations.
30.900 MHz plug-in receivers	
001 AF30	Plug-in radio frequency card.
30.900 MHz surface-mounted receivers	
001 RE301	12 - 24 V AC - DC IP54 surface-mounted one-channel receiver.
230 V AC surface-mounted radio module	
001 RBE42	230 V AC IP54 surface-mounted 4-channel radio module.
12 - 24 V AC - DC surface-mounted radio module	
001 RBE4N	12 - 24 V AC - DC IP54 surface-mounted 4-channel multi-user radio module.
Accessories for receivers	
001 TOP-A309	Antenna.
001 TOP-RG58	Antenna cable.



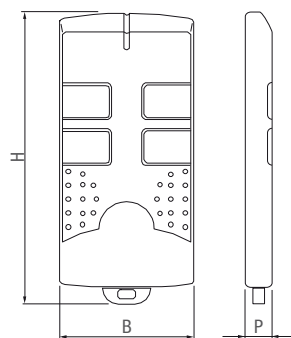
30.900 MHz radio command

The ideal solution for apartment blocks

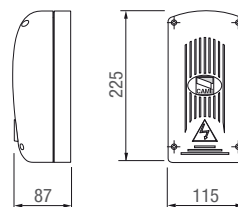
- Multi-user function.
- Available in versions from two to eight channels.
- 16,777,216 combinations.



Dimensions of transmitters



Dimensions of receivers (mm)



001RBE4N
001RBE42

Dimensions (mm/in)

MODEL	B	H	P	Weight (g/oz)
T152	45/1.77	92/3.62	15/0.59	34/1.19
T154	45/1.77	92/3.62	15/0.59	56/1.97
T158	45/1.77	92/3.62	15/0.59	56/1.97

Limits to use


MODEL	Range (m)
T15	50 ÷ 150 / 160 ÷ 500
T154	50 ÷ 150 / 160 ÷ 500
T158	50 ÷ 150 / 160 ÷ 500

Technical features

Type	T152 - T154 - T158
Batteries	1 x 12 V AAA
Combinations	16,777,216
Operating temperature (°C/°F)	-20 ÷ +55/-4 ÷ +131°C/°F
Material	ABS

The complete range



Code	Description
30.900 MHz transmitters	
001 T152	Bi-channel multi-user transmitter. 16,777,216 combinations.
001 T154	4-channel multi-user transmitter. 16,777,216 combinations.
001 T158	8-channel multi-user transmitter. 16,777,216 combinations.
30.900 MHz plug-in receivers	
001 AF150	Plug-in radio frequency card.
230 V AC surface-mounted radio module	
001 RBE42	230 V AC IP54 surface-mounted 4-channel radio module.
12 - 24 V AC - DC surface-mounted radio module	
001 RBE4N	12 - 24 V AC - DC IP54 surface-mounted 4-channel multi-user radio module.
	
Accessories for receivers	
001 TOP-A309N	Antenna.
001 TOP-RG58	Antenna cable.



Touch

23

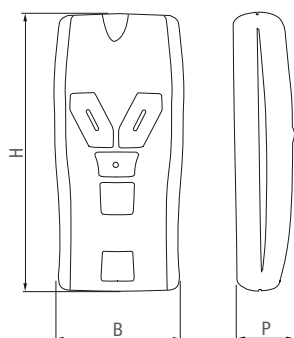
40.695 MHz radio command

The ideal solution for apartment blocks



- In the 2 +2 channels or 4 + 4 channels versions.
- The group of channels in use are shown by the light signal that may be either blue or red.
- Practical, with quartz technology and multi-user function.
- Harmonised frequency and ergonomic keys.
- 16,777,216 combinations.

Dimensions of transmitters



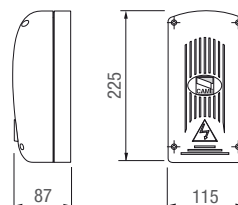
Dimensions (mm/in)

MODEL	B	H	P	Weight (g/oz)
TCH-4024	40/1.57	86/3.38	17/0.66	45/1.58
TCH-4048	40/1.57	86/3.38	17/0.66	45/1.58

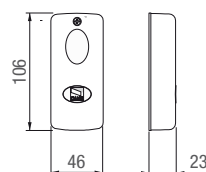
Limits to use

MODEL	Range (m)
TCH-4024	50 ÷ 150 / 160 ÷ 500
TCH-4048	50 ÷ 150 / 160 ÷ 500

Dimensions of receivers (mm)



001RBE4N
001RBE42



001RE402

Technical features

Type	TCH-4024 - TCH-4048
Batteries	1 x 12 V AAA
Combinations	16,777,216
Operating temperature (°C/°F)	-20 ÷ +55/-4 ÷ +131°C/°F
Material	Polycarbonate - Rubber

The complete range



Code	Description
40.685 MHz transmitters	
001TCH-4024	2 + 2 channel multi-user transmitter. 16,777,216 combinations with self-learning function.
001TCH-4048	4 + 4 channel multi-user transmitter. 16,777,216 combinations with self-learning function.
40.685 MHz plug-in receivers	
001AF40	Plug-in radio frequency card.
40.685 MHz surface-mounted receivers	
001RE402	12 - 24 V AC - DC IP54 surface-mounted bi-channel receiver.
001RBE42	230 V AC IP54 surface-mounted 4-channel radio module.
12 - 24 V AC - DC surface-mounted radio module	
001RBE4N	12 - 24 V AC - DC IP54 surface-mounted 4-channel multi-user radio module.
Accessories for: 001TCH-4024 - 001TCH-4048	
009TAG	Glass transponder bulb.
Accessories for receivers	
001TOP-A40	Antenna.
001TOP-RG58	Antenna cable.

