

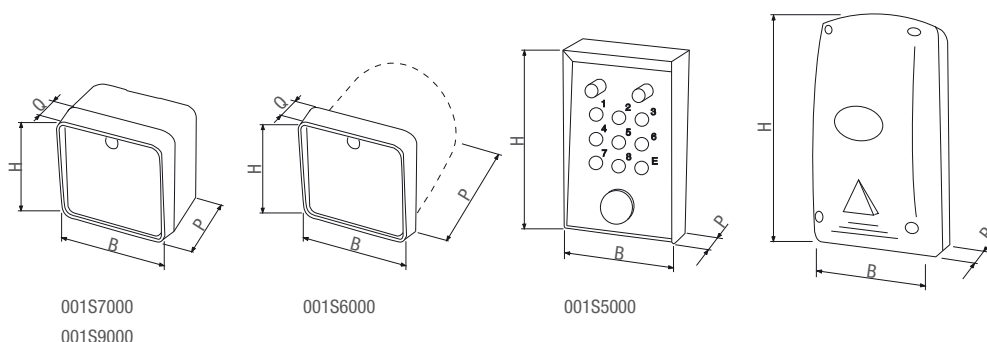
Digital keypads

The digital control for all automated devices



- Safe and reliable thanks to the electronic anti-break-in system.
- Also with radio even for those systems not specifically designed to work with radio.
- Made of aluminium and stainless steel for resistance, reliability and duration over time.

Dimensions



Dimensions (mm/in)

| MODEL | MOUNTING | B | H | P | Q |
|---------------|-----------------|----------|----------|---------|---------|
| S5000 | SURFACE-MOUNTED | 80/3.14 | 130/5.11 | 40/1.57 | - |
| S6000 | FLUSH-MOUNTED | 70/2.75 | 70/2.75 | 73/2.87 | 13/4.84 |
| S7000 | SURFACE-MOUNTED | 70/2.75 | 70/2.75 | 51/2 | 13/4.84 |
| S9000 | SURFACE-MOUNTED | 70/2.75 | 70/2.75 | 32/1.25 | 13/4.84 |
| S0001 - S0002 | SURFACE-MOUNTED | 124/4.88 | 84/3.30 | 62/2.44 | - |
| S0004N | SURFACE-MOUNTED | 115/4.52 | 225/8.85 | 87/3.42 | - |

● 12 - 24 V AC - DC

Technical features

| Type | S0001 | S0002 | S0004N | S9000 |
|-------------------------------|--------------------------|--------------------------|--------------------------|--------------------------|
| Protection rating IP | IP54 | IP54 | IP54 | IP54 |
| Power supply (V) | 12 - 24 AC - DC | 12 - 24 AC - DC | 12 - 24 AC - DC | 1 GP23A 12 V DC BATTERY |
| Combinations | 16,777,216 | 1,679,616 | 1,679,616 | 1,562,500 |
| Radio signal frequency (MHz) | - | - | - | 433.92 |
| Code ciphers | 8 MAX | 6 MAX | 6 MAX | 8 MAX |
| Operating temperature (°C/°F) | -20 ÷ +55/-4 ÷ +131°C/°F | -20 ÷ +55/-4 ÷ +131°C/°F | -20 ÷ +55/-4 ÷ +131°C/°F | -20 ÷ +55/-4 ÷ +131°C/°F |
| Material | ALUMINIUM ALLOY - STEEL | ALUMINIUM ALLOY - STEEL | ALUMINIUM ALLOY - STEEL | ALUMINIUM ALLOY - STEEL |

● 12 - 24 V AC - DC

The complete range



Code **Description**

Keypad digital selectors

| | |
|------------------|-------------------------------------------------------------------------------------------------------------------------------------------------------------------------|
| 001 S5000 | Galvanized and painted steel surface-mounted keypad with illuminated panel. 16,777,216 combinations. |
| 001 S6000 | Flush-mounted keypad. 1,679,616 combinations. |
| 001 S7000 | Surface-mounted keypad. 1,679,616 combinations. |
| 001 S9000 | 433.92 MHz surface-mounted radio keypad with 4 storable codes and programming-access password. 1,562,500 combinations (390,625 possible combinations per each code). |



Accessories for: 001S5000 - 001S6000 - 001S7000

| | |
|-------------------|------------------------------------------------------------------|
| 001 S0001 | One-channel card. |
| 001 S0002 | Bi-channel card. |
| 001 S0004N | 4-channel card. Possibility of radio controlling the 1st channel |



433.92 MHz plug-in receivers for: 001S9000

| | |
|-------------------|------------------------------------------------------------------------------|
| 001 AF43S | Plug-in radio frequency card. |
| 001 AF43SM | Plug-in radio frequency card with "eeprom" to store up to 128 codes (users). |



433.92 MHz surface-mounted receivers for: 001S9000

| | |
|-------------------|--------------------------------------------------------------------------------------------------------|
| 001 RE432 | 12 - 24 V AC - DC IP54 surface-mounted bi-channel receiver. |
| 001 RBE4MT | 12 - 24 V AC - DC IP54 surface-mounted 4-channel multi-user receiver to store up to 999 codes (users). |



Accessories for: 001S6000 - 001S9000

| | |
|-----------------|--------------------------------------------------------|
| 001 CSS | Natural anodised aluminium post. H = 1 m / 3.28 ft. |
| 001 CSSN | Black anodised aluminium post. H = 1 m / 3.28 ft. |

