

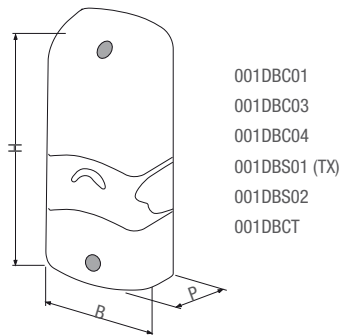
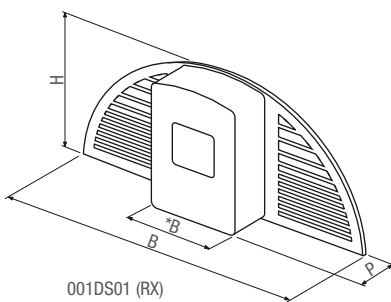
Cordless photocells



Infrared beam safety device

- The cordless photocells for easy perimeter coverage thanks to the bi-directional beam emitted by the repeaters and transmitters.
- Battery power for even easier handling.
- The 001DBS01 and 001DBS02 photocells with Df sensitive edges: photocells beam transmission onto the moving gate leaf edge ensures a total safety and protection.

Dimensions



Dimensions (mm/in)

MODEL	MOUNTING	B	H	P
DBC01	SURFACE-MOUNTED	52/2.04	140/5.51	25/0.98
DBC03	SURFACE-MOUNTED	52/2.04	140/5.51	25/0.98
DBC04	SURFACE-MOUNTED	52/2.04	140/5.51	25/0.98
DBS01 (TX)	SURFACE-MOUNTED	52/2.04	140/5.51	25/0.98
DBS01 (RX)	SURFACE-MOUNTED	150/5.90 - *46/1.81	71/2.79	25/0.98
DBS02	SURFACE-MOUNTED	52/2.04	140/5.51	25/0.98
DBCT	SURFACE-MOUNTED	52/2.04	140/5.51	25/0.98

● 12 - 24 V AC - DC

Limits to use

MODEL	DBC01 - DBC03 - DBC04 - DBS01 DBS02 - DBCT
Max range (m/ft)	10 /32.8

● 12 - 24 V AC - DC

Technical features

Type	DBC01 - DBC03 - DBC04	DBS01 - DBS02 - DBCT
Protection rating IP	IP54	IP54
Power supply (V)	12 - 24 AC - DC (only RX of 001DBC01)	12 - 24 AC - DC (only RX of 001DBS01 and 001DBS02)
Batteries (V)	4 x 1,5 AAA MIN 1000 mAh	4 x 1,5 AAA MIN 1000 mAh
24 V relais output (mA)	500	1
Current draw	DBC01 (TX 70 µA - RX 50 mA) - DBC03 (150 µA) - DBC04 (150 µA)	RX of 001DBS01 and 001DBS02 48 mA - TX 70 mA (24 V AC)
Operating temperature (°C/°F)	-20 ÷ +55/-4 ÷ +131°C/°F	-20 ÷ +55/-4 ÷ +131°C/°F
Material	ABS - POLYCARBONATE	ABS - POLYCARBONATE

● 12 - 24 V AC - DC

The complete range



Code	Description
Db series cordless photocells	
001DBC01	Pair of surface-mounted "cordless" photocells with synchronised mono-directional infrared beam. Range: 10 m / 32.8 ft (1 receiver + 1 transmitter with batteries).
001DBC03	Surface-mounted repeater module with bi-directional infrared beam. Range: 10 m / 32.8 ft (1 lateral receiver + 1 front transmitter with batteries).
001DBC04	Surface-mounted repeater module with bi-directional infrared beam. Range: 10 m / 32.8 ft (1 front receiver + 1 lateral transmitter with batteries).
Mobile connection systems for Df safety sensitive edges for automation systems of the series: Bx-243 - Bx - Bk	
001DBS01	Pair of cordless bi-directional infrared photocells with single contact output. Range: max 10 m / 32.8 ft. Built-in receiver and external transmitter with batteries.
001DBS02	Pair of cordless bi-directional infrared photocells with double contact output. Range: max 10 m / 32.8 ft. Built-in receiver and external transmitter with batteries.
Accessories for: 001DBS02	
001DBCT	Surface-mounted battery-charged transmitter module. Range: max 10 m / 32.8 ft.
Accessories for: 001DBC01 - 001DBC03 - 001DBC04	
001DB-L	Natural anodised aluminium post. H = 500 mm / 1.64 ft.
001DB-LN	Black anodised aluminium post. H = 500 mm / 1.64 ft.

