

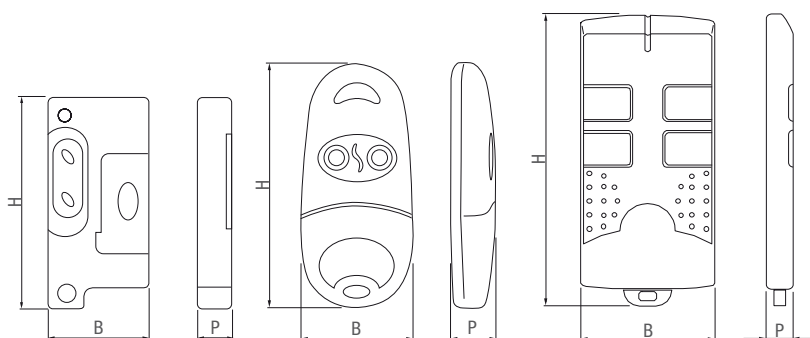
433.92 MHz radio command

The ideal solution for residential premises

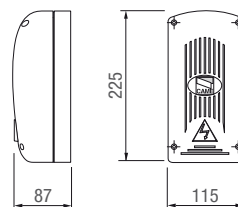


- Available in five radio command models.
- Transmitter to transmitter self-learning.
- Even with transponder function.
- 4,096 combinations.

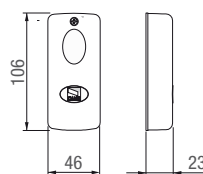
Dimensions of transmitters



Dimensions of receivers (mm)



001RBE4N
001RBE42
001RBE4MT



001RE432

Dimensions (mm/in)

MODEL	B	H	P	Weight (g/oz)
TOP-432S	31/1.22	65/2.55	15/0.59	25/0.88
TOP-432NA	32/1.25	68/2.67	13/0.51	16/0.56
TOP-434NA	40/1.57	85/3.34	12/0.47	22/0.77
TOP-432A	45/1.77	92/3.62	15/0.59	44/1.55
TOP-434A	45/1.77	92/3.62	15/0.59	45/1.58

Limits to use

MODEL	Range (m)
TOP-432S	50 ÷ 150 / 160 ÷ 500
TOP-432NA	50 ÷ 150 / 160 ÷ 500
TOP-434NA	50 ÷ 150 / 160 ÷ 500
TOP-432A	50 ÷ 150 / 160 ÷ 500
TOP-434A	50 ÷ 150 / 160 ÷ 500

Technical features

Type	TOP-432NA - TOP-434NA	TOP-432A - TOP-434A - TOP-432S
Batteries	2 X CR2016 LITHIUM	1 x 12 V AAA
Combinations	4,096	1,024
Operating temperature (°C/°F)	-20 ÷ +55/-4 ÷ +131°C/°F	-20 ÷ +55/-4 ÷ +131°C/°F
Material	ABS	ABS

The complete range



Code	Description
433.92 MHz transmitters	
001TOP-432NA	Bi-channel multi-user transmitter. 4,096 combinations with self-learning function.
001TOP-434NA	4-channel multi-user transmitter. 4,096 combinations with self-learning function.
001TOP-432A	Bi-channel transmitters. 1,024 combinations.
001TOP-434A	4-channel multi-user transmitter. 1,024 combinations.
001TOP-432S	Bi-channel miniaturised transmitter. 1,024 combinations.
433.92 MHz plug-in receivers	
001AF43S	Plug-in radio frequency card.
001AF43SM	Plug-in radio frequency card with "eeprom" to store up to 128 codes (users).
433.92 MHz surface-mounted receivers	
001RE432	12 - 24 V AC - DC IP54 surface-mounted bi-channel receiver.
001RBE4MT	12 - 24 V AC - DC IP54 surface-mounted 4-channel multi-user receiver to store up to 999 codes (users).
230 V AC surface-mounted radio module	
001RBE42	230 V AC IP54 surface-mounted 4-channel radio module.
12 - 24 V AC - DC surface-mounted radio module	
001RBE4N	12 - 24 V AC - DC IP54 surface-mounted 4-channel multi-user radio module.
Accessories for: 001TOP-432NA - 001TOP-434NA	
009TAG	Glass transponder bulb.
001P3V	Package of n. 2 3 V DC type CR2016 lithium batteries.
Accessories for receivers	
001TOP-A433N	Antenna.
001TOP-RG58	Antenna cable.



NOTE:
001TOP-432NA - 001TOP-434NA Max number of operators with differentiated code suggested for a single installation: 20.
Ex.: an apartment block with 20 customised garage doors.