

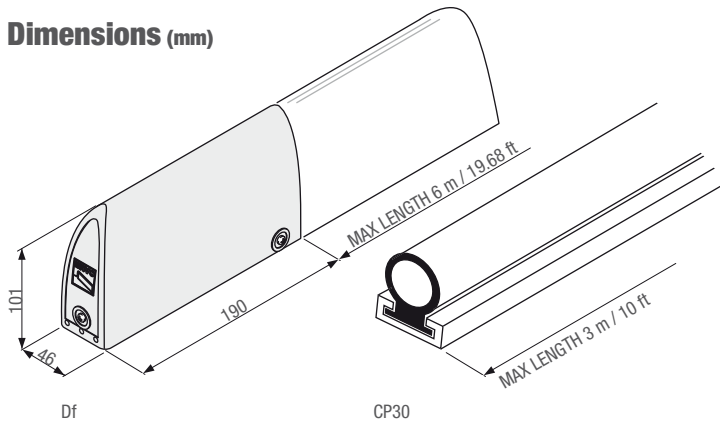
Safety sensitive edges up to 6 m / 19.68 ft

The certified sensitive edges for total protection

- An exclusive Came patent for a total protection from mechanical hazards.
- The right solution for a high-level of safety and quality of the automated installation.
- An EN 12978 and EN 954-1 compliant product.



Dimensions (mm)



Limits to use

MODEL	DF15 - DF17 - DF20 - DF25	CP30	BRC15
Max length of assemblable profile (m/ft)	6/19.68	3/9.84	15/49.21
Max speed measured on leaf edge (m/min - ft/min)	12/39.37	-	-
Max length of cable collector system 001BRC15 (m/ft)	-	-	15/49.21

Technical features

Type	DF15 - DF17 - DF20 - DF25 - TMF - TMF6	CP30
Protection rating IP	IP54	IP54
24 V relais output (A)	1	-
Operating temperature (°C/°F)	-20 ÷ +55/-4 ÷ +131°C/°F	-20 ÷ +55/-4 ÷ +131°C/°F
Material	TPE 65 SHORT A	TPE 65 SHORT A

The complete range



Code	Description
Safety sensitive edges	
001DF15	Safety sensitive mechanical edge - length 1.5 m / 4.92 ft.
001DF17	Safety sensitive mechanical edge - length 1.7 m / 5.57 ft.
001DF20	Safety sensitive mechanical edge - length 2 m / 6.56 ft.
001DF25	Safety sensitive mechanical edge - length 2.5 m / 8.2 ft.
Components to assemble safety sensitive edges	
001CMP	Rubber and aluminium profile for sensitive edges. Max length 4 ÷ 6 m / 13.12 ÷ 19.68 ft.
001TMF	Set of caps and mechanisms for maximum 4 m / 13.12 ft long safety sensitive edges.
001TMF6	Set of caps and mechanisms for maximum 6 m / 19.68 ft long safety sensitive edges.
Components for: Df series and assembled safety sensitive edges	
001DFI	Self-diagnosing card for electrical connections.
Cable collecting devices	
001BRC15	Power cable collecting device for safety sensitive edges for sliding gates of up to 15 m / 49.21 ft in length.
001BRCP	Aluminium profile for extension L = 5.10 m / 16.4 ft to couple with a 001BRC15. Application example: on a 15 m sliding gate set up: n. 1 001BRC15 + n. 3 001BRCP.
Pneumatic sensitive edges	
009CP30	Rubber and aluminium profile for pneumatic sensitive edges. H = 30 mm / 1.18 in. (Max length 3 m / 10 ft).
001PPA	N.O. contact pressure-switch.
001PPC	N.C. contact pressure-switch.
009TBP	Connector tube for 001PPC and 001PPA.
009TP30	Rubber cap for pneumatic sensitive edges H = 30 mm / 1.18 in.



NOTE:
001DFI is 12 - 24 V AC - DC.