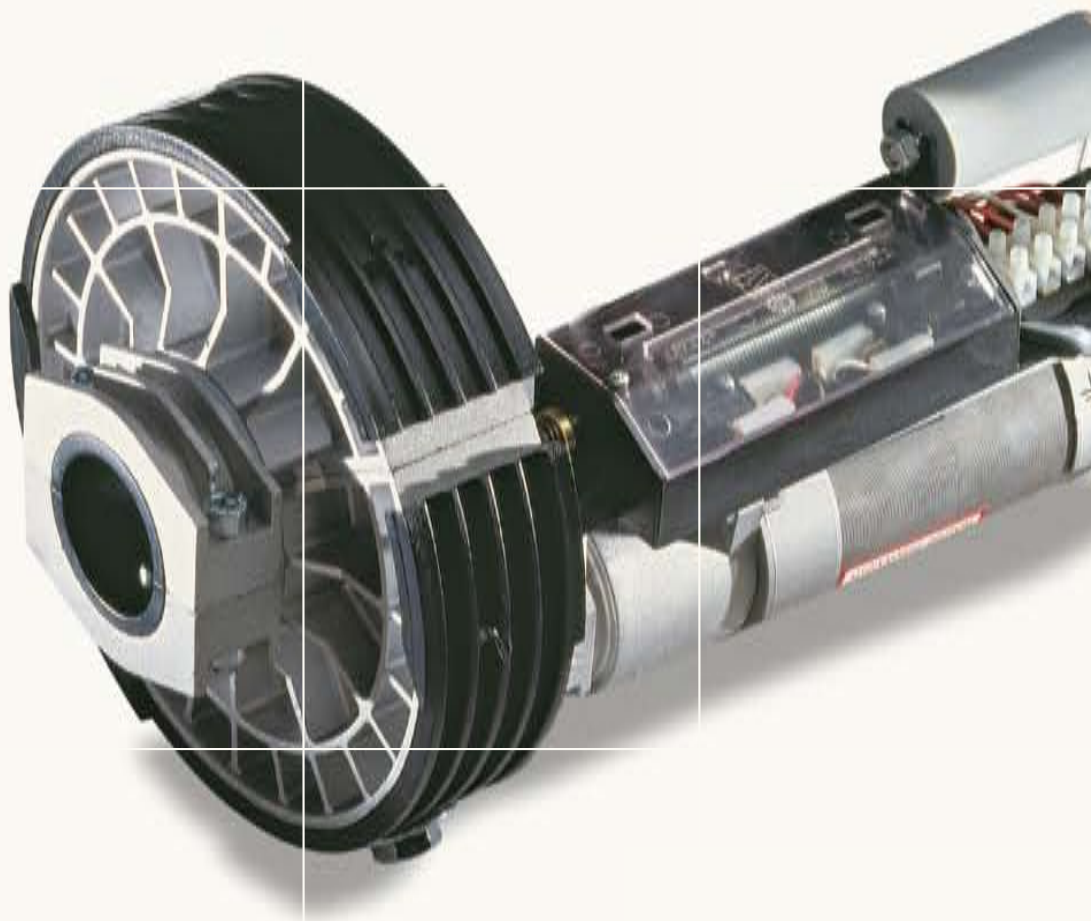



Operators for
rolling shutters



**Flexibility of use and
powerful lift,
all in one model**

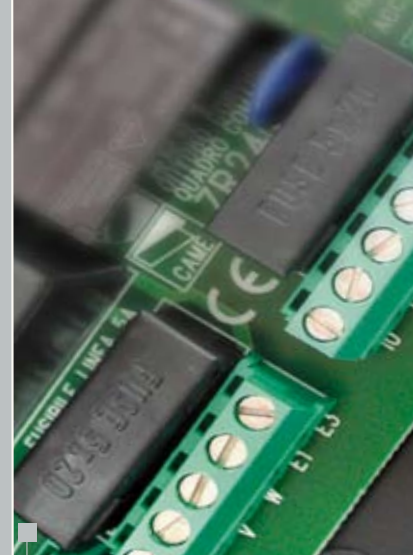
The H series operators are the optimal solution to provide automation to all types of rolling shutters without needing to modify the original structure of the shutters.


CAME
AUTOMATIC GATES

H

Modularity and performance for rolling shutters

A safe and easy-to-use system in one model, suitable for different types of posts and springs. The H series operators allow for modular installation without the need to make any adaptations. For large-sized applications, Came also provides a two-motor version to increase the lift power.



The electronics

Besides the normal command and safety functions, the electronics of the Z24 control panel provides certain details that offer total control of the operator as well as optimal duty performance, such as:

> **Auto-learning of the radio code** between transmitter and receiver.

> **Pre-set automatic closing** using the specific adjustable trimmer.

> **Maintained action command** which requires constant pressure on the command button for the duration of the movement phase.

The range

- H1003** 230V A.C. self-ocking operator complete with pull-cord release.
- H1103** 230V A.C. reversible operator
- H2003** 230V A.C. self-locking operator with double motor complete with pull-cord release.
- H2103** 230V A.C. reversible operator with double motor.
- H3100** 230V A.C. reversible operator for H1003 and H1103.
- H3012** Electrical locking system complete with cable L = 5 m release handle.
- H3001** Protective casing for cord operated release mechanism.
- ZR24** Control panel with radio decoding.

Compliant with the applicable safety legislation standards.

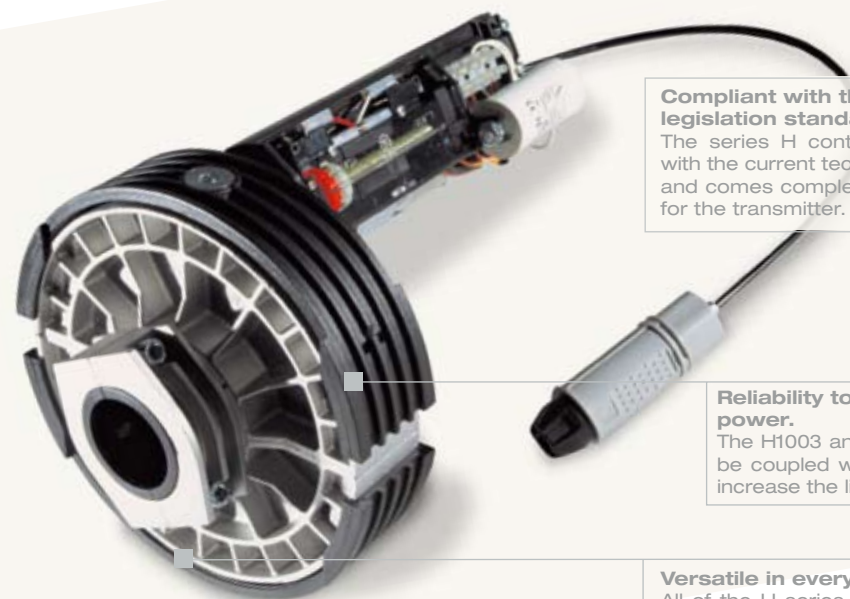
The series H control panel is compliant with the current technical safety standards and comes complete with radio decoding for the transmitter.

Reliability to the maximum power.

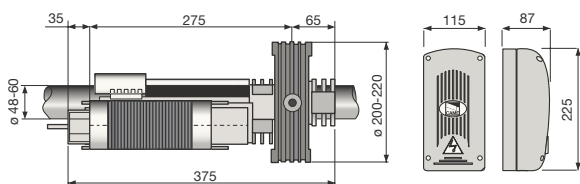
The H1003 and H1103 operators can be coupled with a second motor to increase the lift capacity.

Versatile in every way.

All of the H series operators are suitable for Ø 48 mm posts as well as Ø 60 mm ones, and for Ø 200 or 220 mm springs. All that is needed for the installation are the standard supplied accessories.



Dimensions

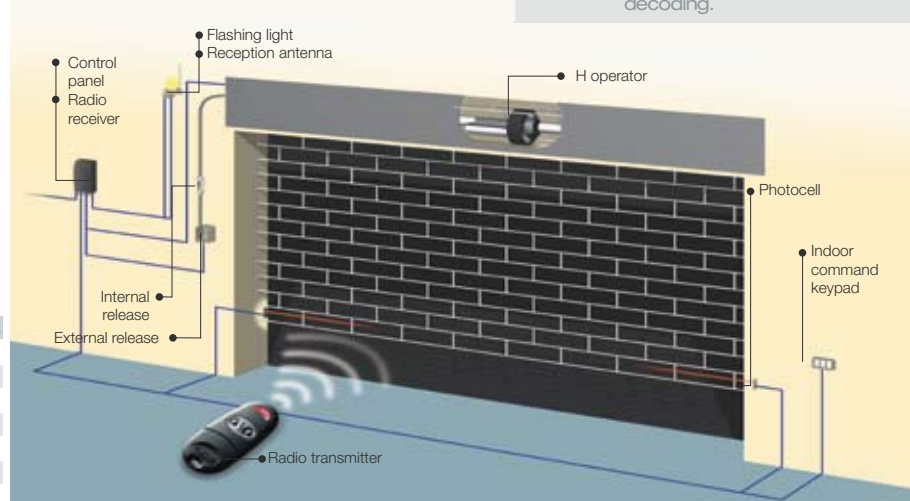


Technical features

Type	H1003-H1103	H2003-H2103
Protection rating	IP40	IP40
Motor power supply (V)	*230 A.C.	*230 A.C.
Current draw (A)	2,4	4,5
Max power (W)	270	270
Reduction ratio (i)	1/150	1/150
Lift capacity (Kg)	120	200
Duty cycle (%)	30	30
Rev. per minute (rpm)	9	9
Operating temperature (°C)	-20 ÷ +55	-20 ÷ +55

* 50/60Hz

Standard installation



In the event a careful analysis of the automated gate's risks were to require it, the use of sensitive safety infrared or contact edges becomes indispensable.

PRODUCTS



Made in Italy



Came cancelli automatici s.p.a.

via Martiri della Libertà, 15
31030 Dosson di Casier - Treviso - Italy

www.came.it - info@came.it

