



Made in Italy



For its quality processes management Came Cancelli Automatici is ISO 9001:2000 certified, and for its environmental management it is ISO 14001 certified. Came designs and manufactures entirely in Italy.

# The range

## 24V D.C. Barrier

**G12000** Automatic galvanised and painted steel barrier with two 24V D.C. operators, complete with built-in control panel.

### Accessories

**G0121** White painted aluminium tube bar made up of:

- 1 fixed support leg
- 1 tube bar L = 6200 mm D = 120 mm
- 1 tube bar L = 6000 mm D = 100 mm
- 1 fixing joint for barrier arm

**G0461** Red adhesive reflective strips for bar. Package of 24 pieces.

**LB38** Emergency battery card.

### Technical features

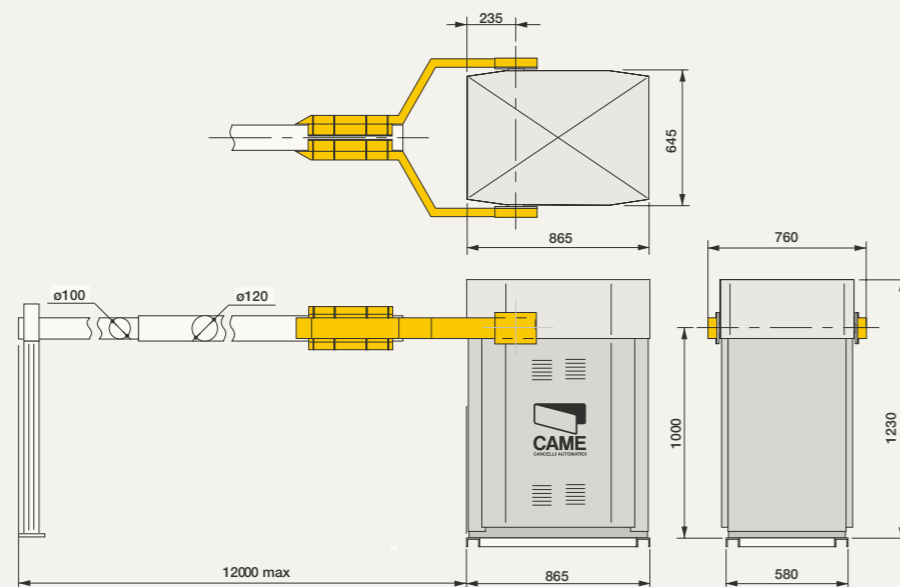
Type	G12000
Protection rating	IP54
Control panel power supply (V)	230 A.C. 50/60 Hz
Motor power supply (V)	24 D.C.
Current draw (A)	15 max
Max power (W)	300
Manoeuvre time (s)	10
Duty cycle (%)	50
Max torque (Nm)	600
Operating temperature (°C)	-20 ÷ +55
Cabinet colour	Grey textured metal finish 0530837
Cover colour	RAL 9006

● 24V D.C.

### Limits to use

Max bar length	(m)	(ft)
	12	34,4

### Dimensions



Automatic road barriers for passages of up to 12 m 34.4 ft



# Gard12

## The barrier for large clearance passageways

Gard12 is a truly unique automation system. A special version which operates a bar up to 12m long to manage special passage ways such as in industrial loading bays, materials receiving and highways.



Came cancelli automatici S.p.a.

via Martiri della Libertà, 15  
31030 Dossan di Casier  
Treviso - Italy

www.came.it - info@came.it

© Came DEF5735 06/2007

The data and information shown in this catalogue are subject to change without the obligation to give prior notice by Came cancelli automatici S.p.A.



# Gard12

The barrier for those special passageways

G12000 is a specifically engineered operator for large clearance industrial passageways. A tube bar of different sections, lets a 12 meter passageway be opened and closed in just 10 seconds, as is often required in loading and unloading situations.

## The 24V electronics



The G12000 new generation electronics provide for total control of the system, improving the usual command and safety functions:

- > **Obstacle detection**  
A special electronic circuit constantly analyses the proper functioning of the barrier, and will either stop or invert the mode, if it comes into contact with any obstacles.
- > **Delayed motion during opening or closing**  
The electronics featured in G12000 can slow down the bar in the final stages of opening or closing - making the closing of the barrier safer.
- > **Blackouts no more**  
The 24V G12000 automatically detects any interruption in the power source and immediately activates the emergency mode through the auxiliary batteries.



### An unrivaled system

**Balanced by counterweights.**  
Adjustable by way of steel modules that can be added or removed depending on the length of the bar.

**Modular tube bar.**  
The rounded section, with its differentiated diameters allows for easy carrying and reduced wind resistance.

**Double motor, double lasting power.**  
G12000 is equipped with nothing other than 2 operators, which are installed along the same axis and provide remarkable torque.

**Counterweighted balancing.**  
This ensures safe and reliable motion of the bar, even when used frequently.

**Integration and modularity.**  
A special automation system which perfectly integrates with all the Came command and safety accessories.



**Always safe.**  
An electronic contact automatically cuts off the power supply each time the inspection door is opened.

**Command electronics.**  
It is located in an easy-to-reach position to aid scheduled maintenance operation and is protected from environmental agents.

**Global access control.**  
Every Came automatic barrier, can be connected to the series of different access control systems which enable to identify, memorise, and clear the entry or exit of authorised personnel only. The system can thus be integrated with a more extensive access control system - like, for example with different company departments or with any service offered by large structures or apartment blocks



### Standard installation

